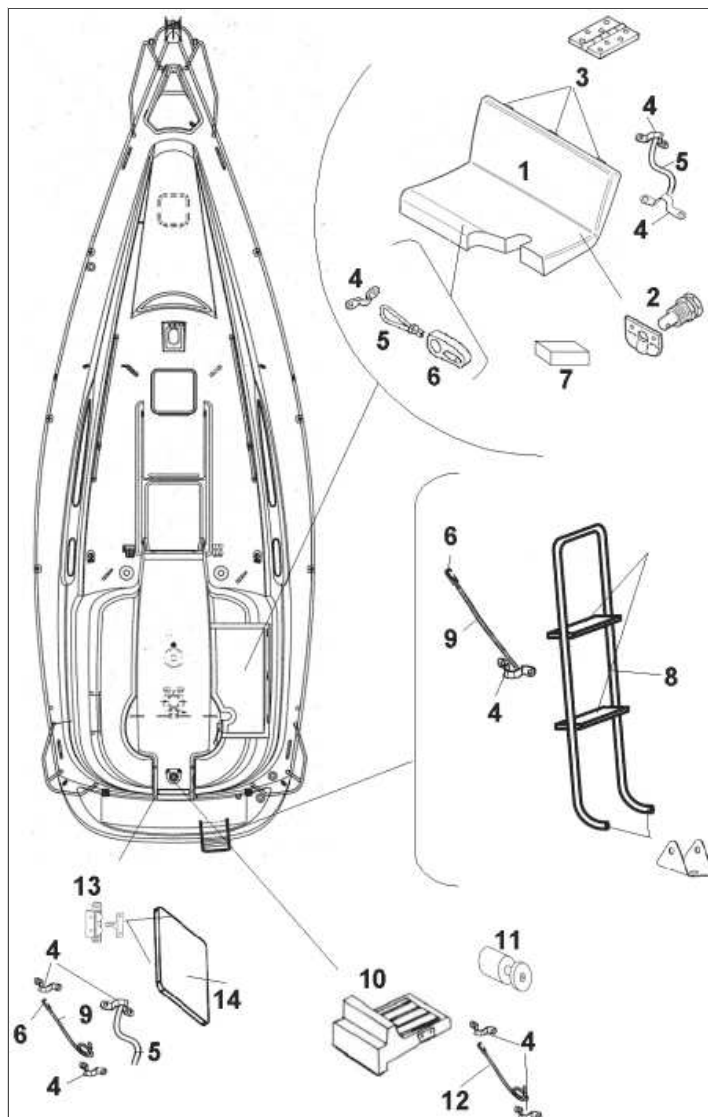


No.	SO29200010a	Price ex VAT	
1a	HARKEN WINCH 32.2 STA Hull No: 1 -> 593	€ 737,85	
1b	HARKEN WINCH 32.2 STA Hull No: 594 ->	€ 737,85	
2	ARTICULATED CHAINPLATE D 6 BREAK.2700KG	€ 20,63	
3	POULIE HA450A BOSSE ENROUL.	€ 20,02	
4	LIGHT ALLOY SHEET SLIDER BLACK ANODISING	€ 47,22	
5	T-TRACK 25 MM L1500	€ 24,99	
6	PLASTIC END STOP FOR GENOA TRACK 25 MM	€ 3,54	
7a	TURNING BLOCK Hull No: 1 -> 512	€ 91,22	
7b	TURNING BLOCK Hull No: 513 -> 740	€ 91,22	
7c	S/S SINGLE TURNING BLOCK ESP57MM H6077 Hull No: 741 ->	€ 104,96	
8	UNCOLOR. ALU.SHEET CLEAT Hull No: 1 -> 740	€ 27,54	
9a	CRANK HANDLE BOX W H P Hull No: 1 -> 140104	€ 13,95	
9b	CRANK HANDLE BOX W H P Hull No: 50104 ->	€ 13,95	
10	CRANK	€ 57,75	
11b	STBD / PORT DOUBLE DECK STOPPERS NM Hull No: 401 ->	€ 114,85	
12a	SPINNAKER TURNING BLOCK Hull No: 1 -> 572	€ 46,87	
12b	POULIE PLAT PT 3REAS ASY T38 Hull No: 573 ->	€ 34,20	
13		<i>by request</i>	
14	S/S SELF TAP SCREW FH N° 4.8X31.7	€ 0,15	
15	ST.ST. WASHER	€ 1,55	
16	S.STEEL HEX NUT DIA 5	€ 0,06	

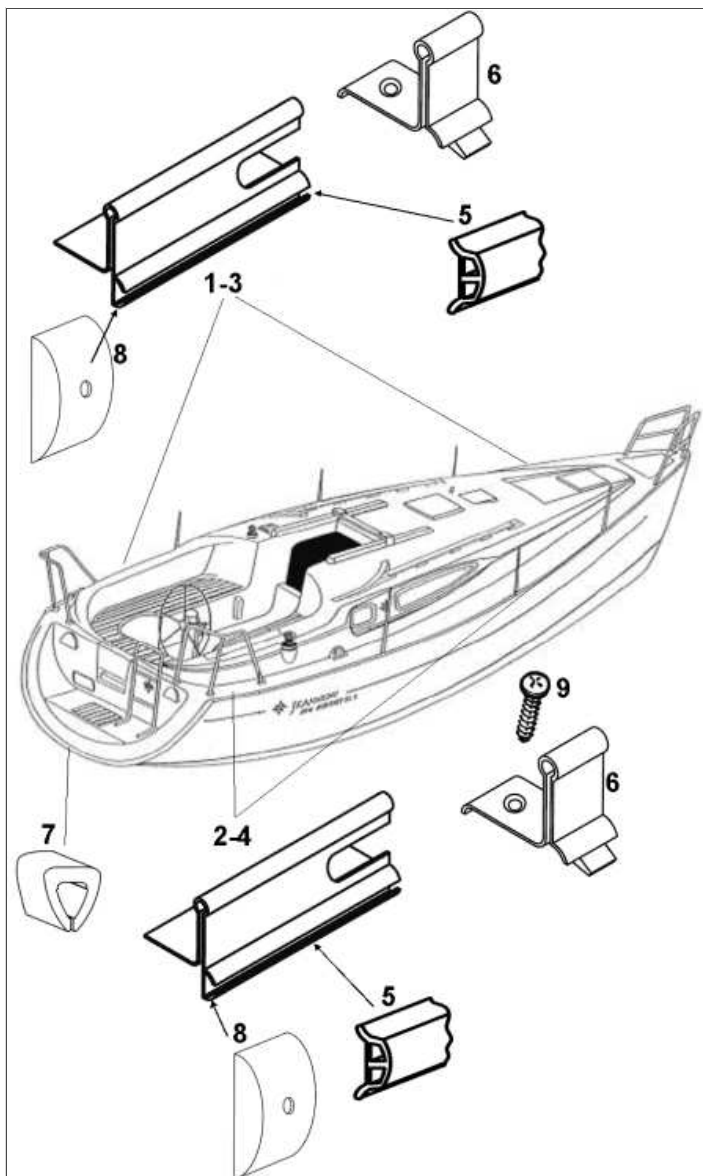
No.	SO29200011a	Price ex VAT	
1	U-BOLTS & PADEYES WATERTIGHT D8 A36 C60	€ 13,20	
2	CADENE FIL D 6 A32 C35 ETANCHE	€ 7,41	
3	EPONTILLE MAT SO292	€ 235,11	
4	S/S SELF TAP SCREW FOR WOOD HEXH 8X40	€ 0,55	
5	MAST STEP BASE	€ 35,12	
6	PULLEY	€ 33,46	
7	BLOCK Z VEM60 0280	€ 23,90	
8	BLOCK VEMR+TC45 0269	€ 39,82	
9	BLOCK VEM45 0267	€ 18,87	
10	BLOCK ZD60 HOOK	€ 54,38	

No.	SO29200020a	Price ex VAT	
1	SO29.2-FERRURE ETRAVE ALU	€ 331,34	
2	S/S METRIC SCREW FH HEX.SOCKET M10X50	€ 2,80	
3	STAINL.ST WASHER	€ 3,08	
4	S/S LOCKING NUT DIA 10	€ 0,40	
5	GALET DE FERRURE SO29.2	€ 154,48	
6	AXE DE GALET DE FERRURE SO29.2	€ 10,89	
7a	CAPOT P.CHAINE SO29.2 * 10785 Hull No: 1 -> 230	<i>by request</i>	
7b	CAPOT P.CHAINE SO292 M2000 Hull No: 231 ->	€ 219,80	
8	HINGE LK 80X60	€ 10,70	
9	PLASTIC HOOK BLACK	€ 0,90	
10	WHITE POLYPROP. ROPE D6	€ 1,07	
11	S/S PAD-EYE 113X25	€ 1,20	
12	CATCH S/S BALL P0044503	€ 6,15	
13a	SORTIE COQUE PUIT A CHAINE Hull No: 1 -> 352	€ 3,48	
13b	PLASTIC HULL OUTLET Hull No: 353 ->	€ 2,73	
14	CADENE FIL D 6 A32 C35 ETANCHE	€ 7,41	
15	WHITE PLASTIC PLUG DIA 100	€ 4,22	
16	UNCOLOURED ALU MOORING CL	€ 29,02	
17	WASHER FOR WINDLASS BACKP	€ 2,08	
18	STAINLESS STEEL MACHINE S	€ 0,87	

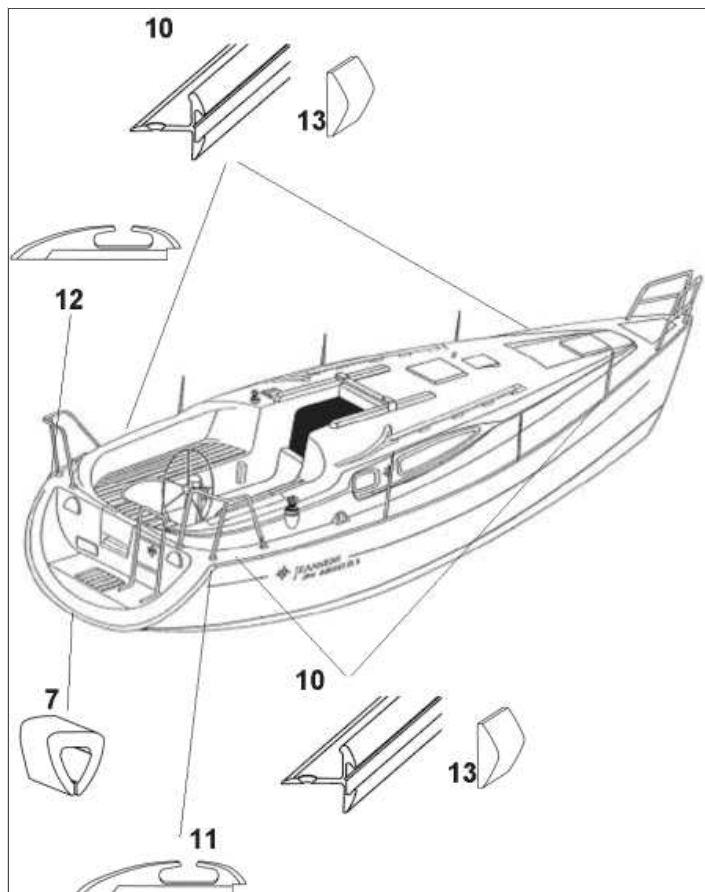


No.		Price ex VAT	
	SO29200021a		
1a	p0342044 Hull No: 1 -> 230	<i>by request</i>	
1b	p0342044 Hull No: 231 ->	€ 423,16	
2	HUB.R34CA 347X251 RE-VE-AN-B	€ 8,90	
3	CHROM.BRASS HINGE 80X80	€ 16,10	
4	S/S PAD-EYE 113X25	€ 1,20	
5	WHITE NYLON ROPE D04	€ 0,30	
6	PLASTIC HOOK BLACK	€ 0,90	
7	ADHES PVC FOAM JOINT	€ 1,30	
8	SO322-ECH.DE BAIN+CHAPES	€ 143,92	
9	ELASTIC CABLE D5	€ 0,90	
10a	CAPOT BARREUR SO292 * 10785 Hull No: 1 -> 230	€ 345,28	
10b	CAPOT BARREUR SO292 M2000 Hull No: 231 ->	€ 296,93	
11	SO322-PLOT P/ASSISE /BARR. COUR	€ 10,86	
12	ELASTIC CABLE D8	€ 2,56	
13	CATCH S/S BALL P0044503	€ 6,15	
14	BOITE A GAZ SO292/SO322	€ 169,60	

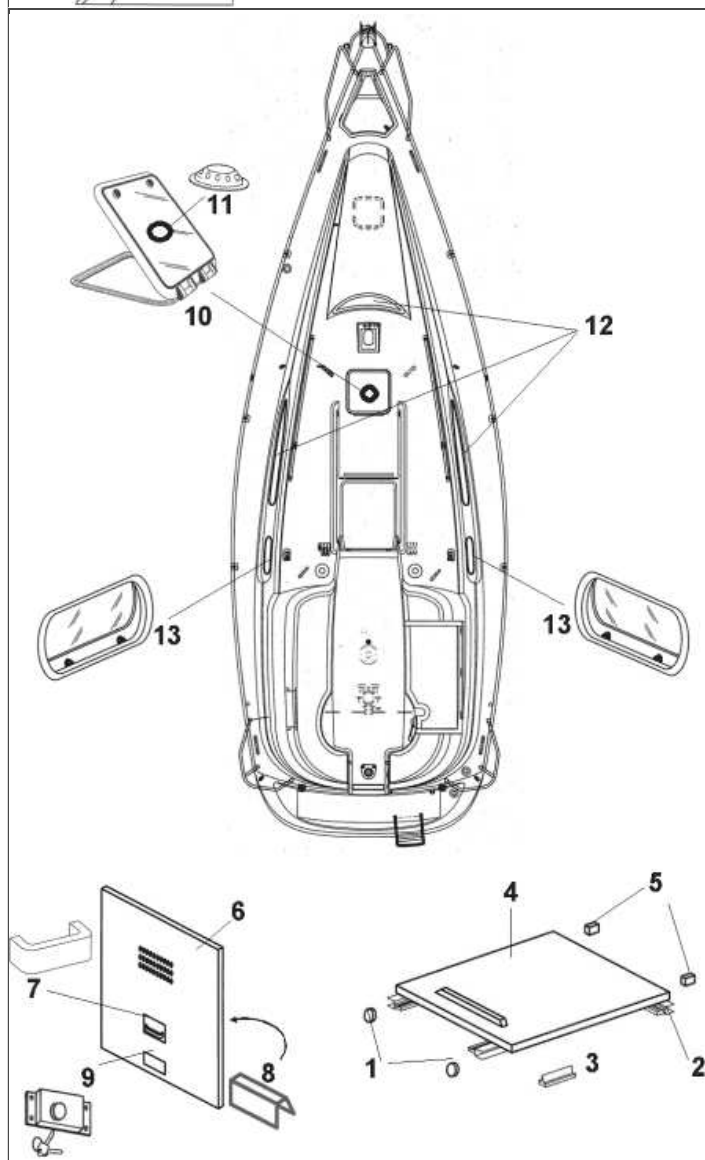
	No.	SO29200022a	Price ex VAT	
	1a	SO322-PULPIT Hull No: 1 -> 136	€ 1.378,10	
	1b	BALCON SO322 AV V99 Hull No: 137 ->	€ 332,12	
	2	SO322-BALCON AR BD	€ 190,96	
	3	BALCON SO322 AR TD	€ 179,89	
	4a	STANCHION STEP Hull No: 1 -> 674	€ 26,93	
	4b	GREY STANCHION STEP Hull No: 675 ->	€ 32,60	
	5a	STANCHION STEP Hull No: 1 -> 674	€ 28,26	
	5b	GREY STANCHION STEP Hull No: 675 ->	€ 32,60	
	6a	STANCHION BACKPLATE Hull No: 1 -> 674	€ 10,50	
	6b	STAINL ST BACKPLATE Hull No: 675 ->	€ 5,50	
	7a	STANCHION (L640-D25) Hull No: 1 -> 523	€ 30,72	
	7b	CHANDEL.L640 D25 INT.+BOULE NM Hull No: 524 ->	€ 22,30	
	8a	MANCH. R16 RETRA. RL:50ML Hull No: 1 -> 230102	€ 6,00	
8b	MANCH. R16 RETRA. RL:50ML	€ 6,00		
9	AXLE	€ 2,60		
10	RING	€ 0,30		
11a	Hull No: 1 -> 136	<i>by request</i>		
11b	FILIERE SO292 V2002 Hull No: 137 ->	€ 269,64		



No.		Price ex VAT	
1	SO342-FARGUE AV BD 6000MM Hull No: 1 -> 674	€ 417,69	
2	SO342-FARGUE AV TD 6000MM Hull No: 1 -> 674	€ 429,77	
3a	SO292-RAIL DE FARGUE Hull No: 1 -> 240898	€ 108,65	
3b	RAIL FARGUE SO292 BD MIL.99 Hull No: 1 -> 674	€ 159,35	
4a	SO292-RAIL DE FARGUE Hull No: 1 -> 240898	€ 108,65	
4b	RAIL FARGUE SO292 TD MIL.99 Hull No: 1 -> 674	€ 159,35	
5	WHITE PVC INSERT Hull No: 1 -> 674	€ 2,80	
6	TOE-RAIL CONNECTION Hull No: 1 -> 674	€ 17,74	
7	PVC RAIL	€ 142,10	
8	RUBBING STRAKE END Hull No: 1 -> 674	€ 2,00	
9	WOOD SCREW S/S A2 TF PZ 6X30	€ 0,26	



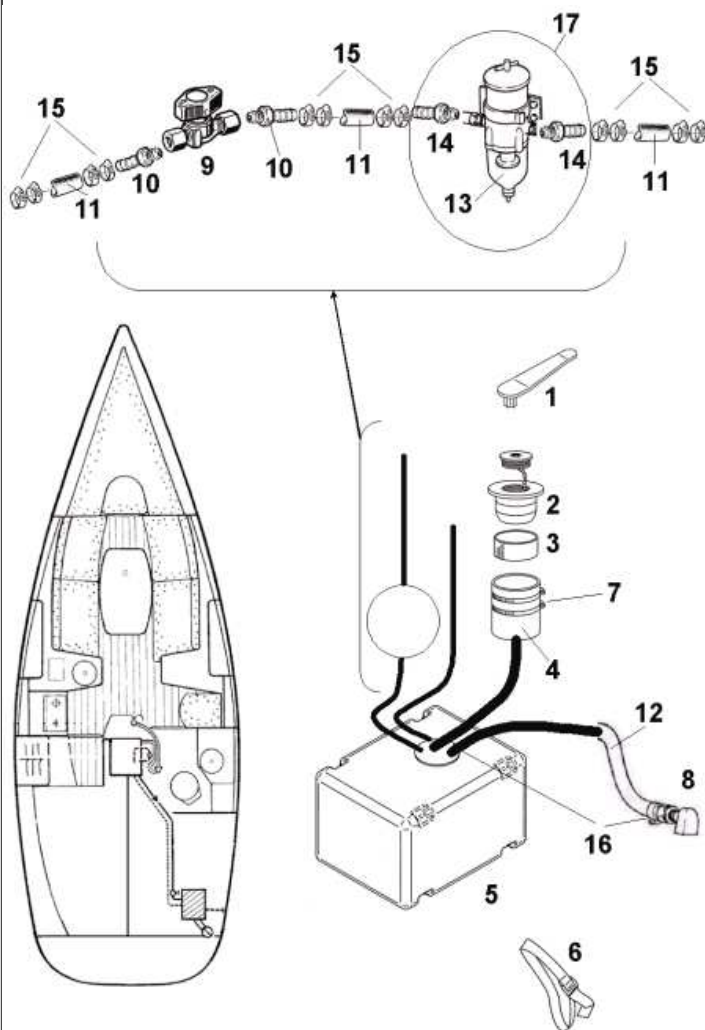
No.	SO29200023b	Price ex VAT	
10	TOE RAIL L7740 SO292 Hull No: 675 ->	€ 368,86	
11	CHAUM.AR TD SO32 Hull No: 675 ->	€ 93,53	
12	CHAUM.AR BD SO32 Hull No: 675 ->	€ 93,53	
13	TEAK SLIDING HATCH STRIP L2200 Hull No: 675 ->	€ 25,00	

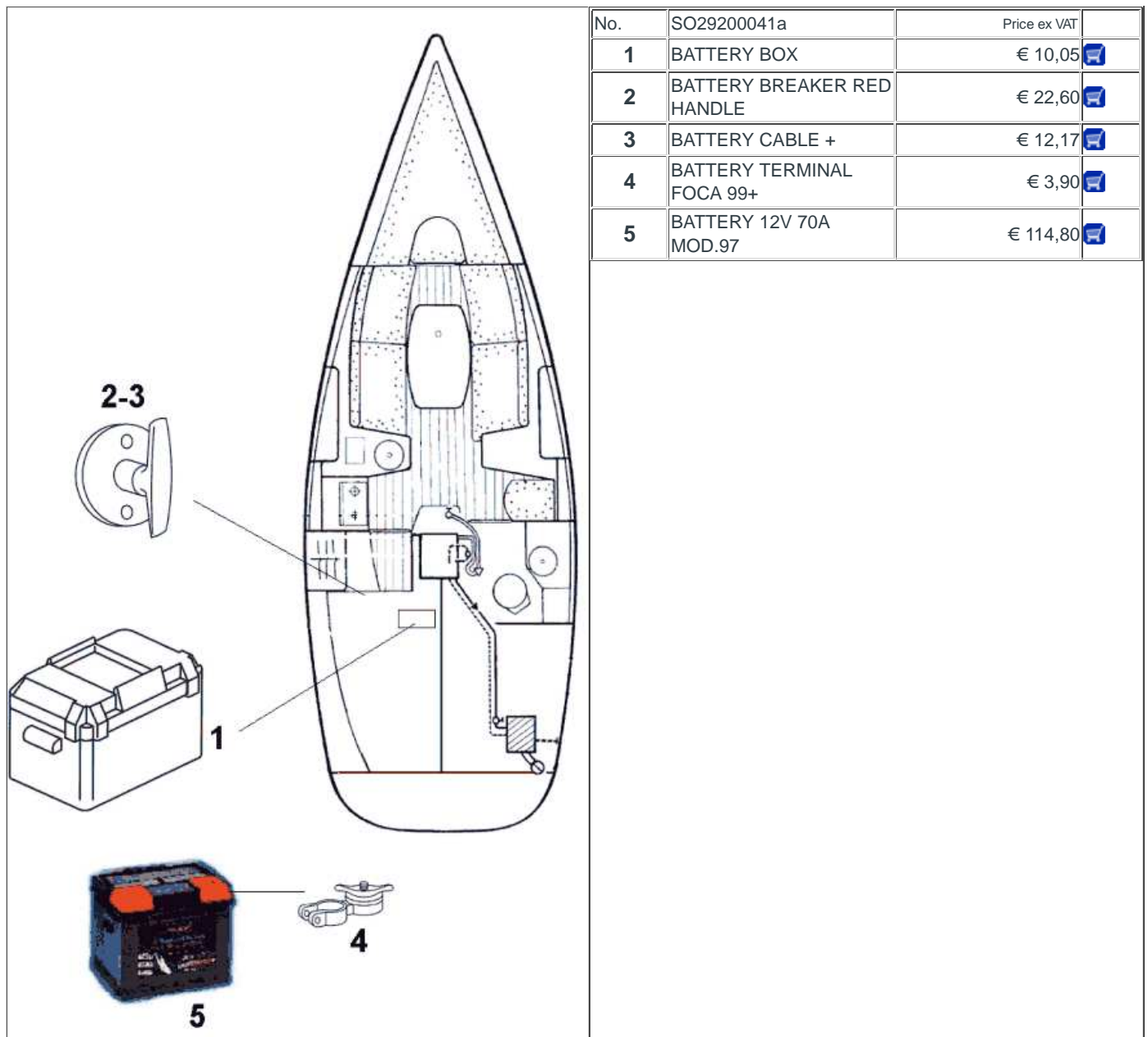


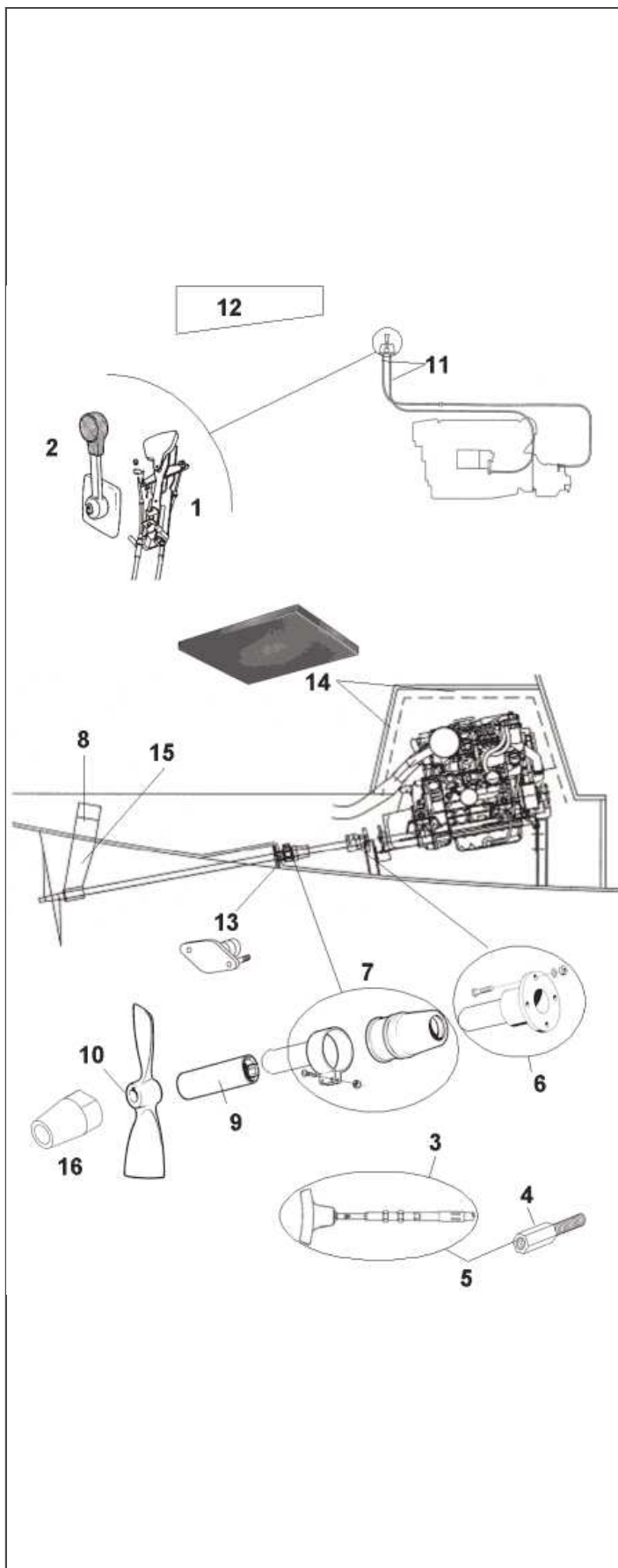
No.	SO29200034a	Price ex VAT	
1	NYLON BRACE	€ 0,20	
2	ALU PROFILE L595	€ 8,04	
3	RUBBER T-PIECE	€ 2,10	
4a	SO292- CAPOT COULISSANT Hull No: 1 -> 666	€ 251,51	
4b	SLIDING HATCH SO292 GREEN Hull No: 667 ->	€ 318,41	
5	SLIDING HATCH STOPPER	€ 5,95	
6a	PORTE ENTR.SO342 PLEXI Hull No: 1 -> 666	€ 149,70	
6b	WOOD ENTRANCE DOOR SO292 PLEXI Hull No: 667 ->	€ 127,70	
7	BLACK HANDLE	€ 5,80	
8	STAINL ST DOOR HANDLE	€ 13,54	
9	SAFETY HATCH	€ 58,26	
10a	GREY DECK HATCH Hull No: 1 -> 666	€ 296,97	
10b	OPENING DECK HATCH 420X420 FLUSH GREEN+V Hull No: 667 ->	€ 282,84	
11a	AERATOR WITH SHUTTER Hull No: 1 -> 337	€ 53,00	
11b	AERATOR WITH SHUTTER Hull No: 338 ->	€ 53,00	

12a	ENS.VITR.SO292 ROOF Hull No: 1 -> 666	€ 282,14	
12b	SET OF WINDOWS SO292 ROOF GREEN Hull No: 667 ->	€ 282,14	
13a	HUB.RECT.OUV.347X171 GRIS Hull No: 1 -> 666	€ 141,41	
13b	HUB.R34 347X171 RE-VE-AN-B Hull No: 667 ->	€ 177,00	

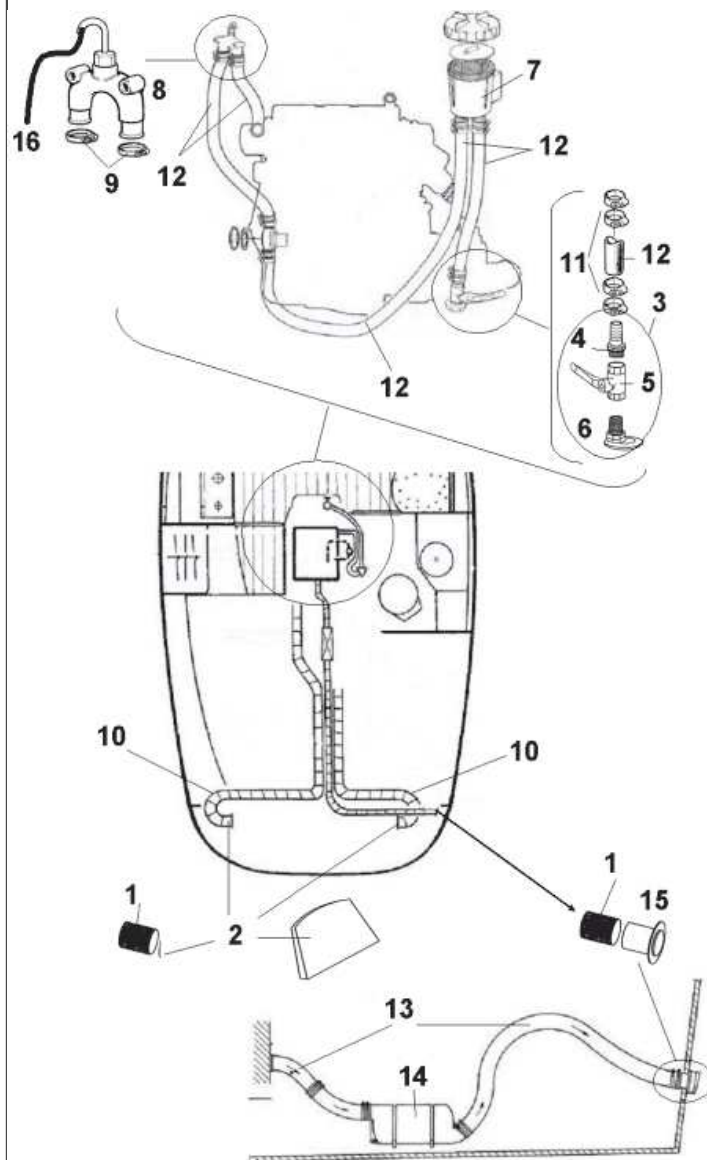
No.	SO29200040a	Price ex VAT	
1	TIGHTEN.SPANNER/WATER TANK DECK FILL.CAP	€ 5,10	
2	NYLON DECK FILLER CAP FOR G.O TANK	€ 21,32	
3	NEOPRENE SLEEVE	€ 0,85	
4	FUEL LINE D54 FILLING TANK	€ 34,38	
5	FUEL TANK 45L Hull No: 90898 ->	€ 392,39	
6	STRAP L3800	€ 13,39	
7	CLAMPING COLLAR	€ 1,75	
8	PLASTIC VENT WHITE D15	€ 2,39	
9a	1/4 TURN TAP WITH FIXING Hull No: 1 -> 516	<i>by request</i>	
9b	1/4 TURN TAP WO FIXING Hull No: 517 ->	€ 23,80	
10	SMOOTH RIBBET FITTING	€ 4,44	
11	FUEL LINE DIA 8	€ 9,07	
12	FUEL LINE DIA 15	€ 13,31	
13a	GASOLINE FILTER ON PUMP PP98DN Hull No: 1 -> 516	€ 51,81	
13b	FUEL FILTER SEPAR.VOLVO (C.E) Hull No: 517 ->	€ 62,89	
14a	CANNELED CONNECTOR PLUG Hull No: 1 -> 516	<i>by request</i>	
14b	BRASS STR.GROOVED END-PIECE M1/2-20UNF D8 Hull No: 517 ->	€ 4,62	
15	CLAMPING COLLAR 9/8-16	€ 1,07	
16	CLAMPING COLLAR	€ 1,46	
17	KIT*FILT. SS POMPE 14X150 D8	€ 58,81	
























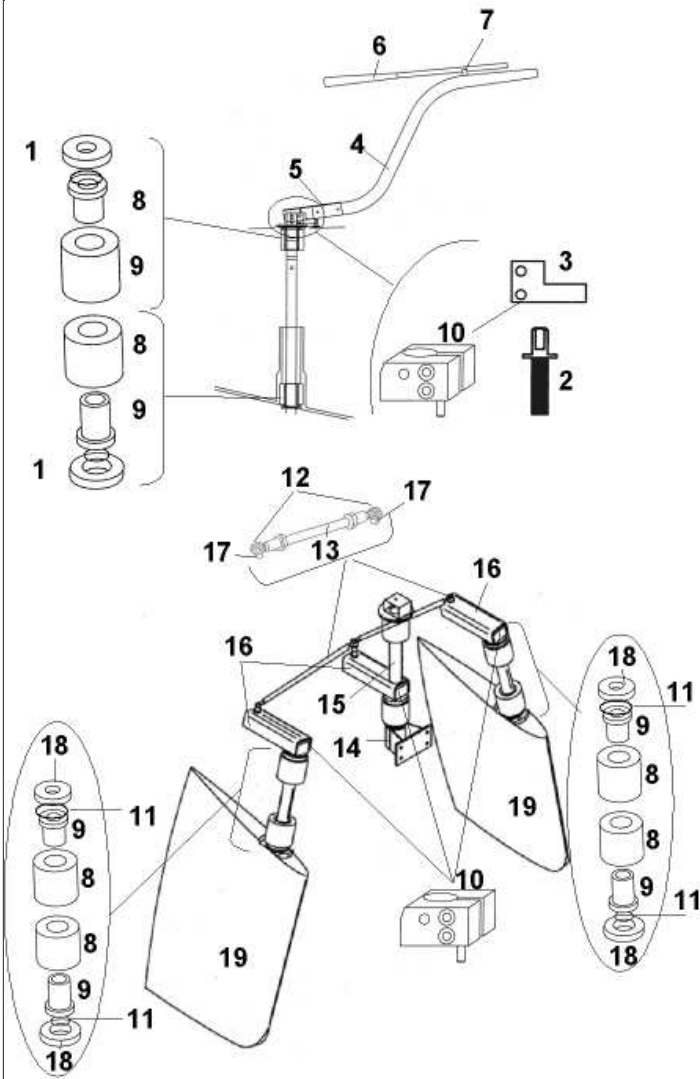


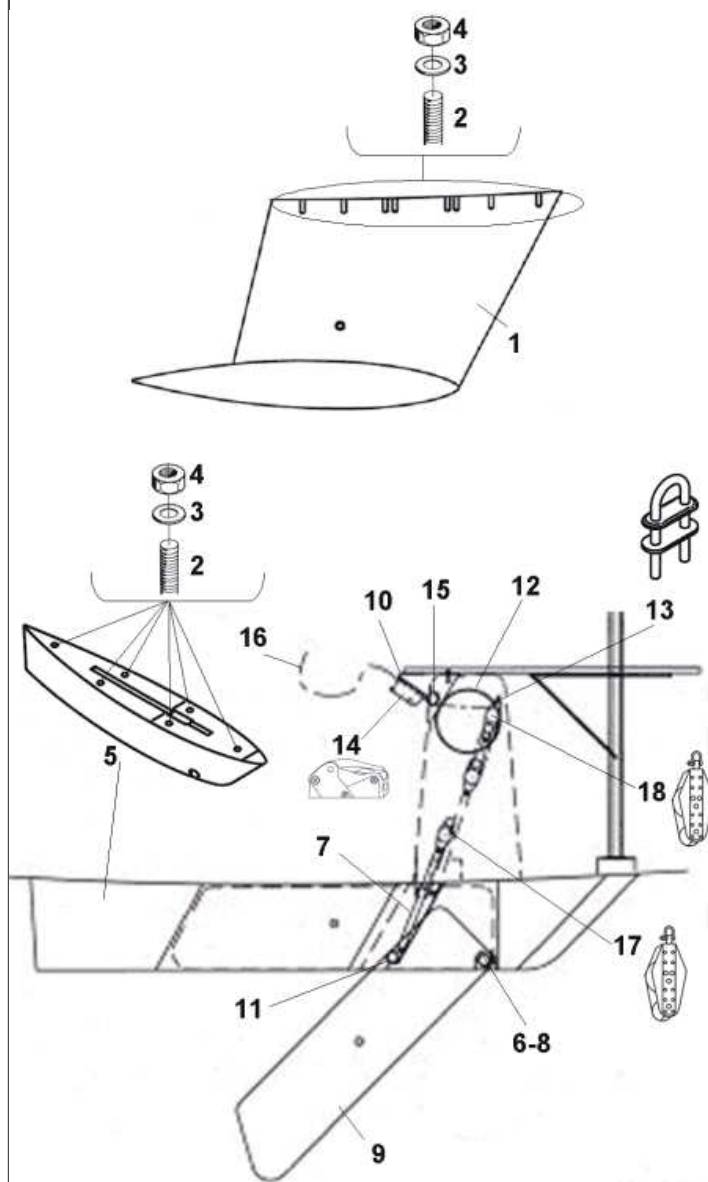
No.		Price ex VAT	
1	MECHANISM HANDLE LAT.SINGLE	€ 77,25	
2	LEVIER LAT.SIMPLE VOIL/CLOISON	€ 25,69	
3	RIGID STAINL STEEL PULL C YANMAR 2GM20 18CV	€ 26,28	
4	BRASS CONDUIT END YANMAR 2GM20 18CV	€ 13,04	
5	KIT*TIRETTE SERTIE L=4.45 YANMAR 2GM20 18CV	€ 35,66	
6a	EQUIP.PROPELLER SHAFT D25 L1350 YANMAR 2GM20 18CV Hull No: 1 -> 210898	€ 377,36	
6b	EQUIP.PROPELLER SHAFT D25 L1350 YANMAR 2GM20 18CV Hull No: 10898 ->	€ 377,36	
7	VOLVO STUFFING GLAND DIA 25	€ 70,35	
8	P-BRACKET D22/25	€ 190,18	
9	HYDROLUBE RING	€ 9,10	
10a	DUCK BIP PROPELLING SCREW YANMAR 3YM20 15KW(21CV)D	€ 292,44	
10b	TWO-BLADED PROPELLER 16X10 RH25 K11 VOLVO 2020 MSLE 2.3	€ 240,16	
10c	TWO-BLADED PROPELLER 14X9 RH25 K11 YANMAR 2GM20 18CV Hull No: 1 -> 422	€ 183,72	
10d	TWO-BLADED PROPELLER 15X10 RH25 YANMAR 2GM20 18CV Hull No: 423 ->	€ 205,11	
11a	ENGINE CONTROL CABLE L3750 YANMAR 3YM20 15KW(21CV)D	€ 22,36	
11b	ENGINE CABLE VOLVO 2020 MSLE 2.3	€ 19,73	
12	SO322-PLEXI TABLEAU MOT.	€ 19,43	
13	TUBE ETAMB.IN. SO292	€ 91,11	
14	SOUNDPROOFING FOAM	€ 121,04	
15	NYLON MACHINE SCREW	€ 0,20	
16	ANODE NUT SHAFT	€ 39,30	



No.	SO29200043a	Price ex VAT	
1a	NEOPRENE SLEEVE YANMAR 3YM20 15KW(21CV)D	€ 0,85	
1b	NEOPRENE SLEEVE YANMAR 2GM20 18CV	€ 1,41	
2	MODIF SECU 6>8 16/07/07	€ 42,40	
3	p0850105	<i>by request</i>	
4	RIBBED FITTING SOCKET	€ 4,10	
5	VALVE BALL 1/4 T 20X27 BR W/ S/S HANDLE	€ 9,00	
6	STRAINER FITTED HULL OUTL	€ 28,30	
7	SALT WATER FILTER 3/4' VETUS 330	€ 67,54	
8	ANTISIPHON INTAKE V D13/19/25/32	€ 34,84	
9		<i>by request</i>	
10	VENTIL.DUCT D100 STD G	€ 13,36	
11	CLAMPING COLLAR	€ 1,46	
12	HOSE RAW WATER ENGIN DIA20 STD G	€ 4,40	
13a	EXHAUST PIPE YANMAR 3YM20 15KW(21CV)D	€ 23,52	
13b	EXHAUST PIPE DIA 45 STD G YANMAR 2GM20 18CV	€ 18,13	
14a	PLAST EXH.BUBBL.CHAMBER LP50 E.ORIENT YANMAR 3YM20 15KW(21CV)D	€ 46,39	
14b	PLAST EXH.BUBBL.CHAMBER LP45 E.ORIENT YANMAR 2GM20 18CV	€ 67,24	
14c	EXH.DUBBL.CHAMBER VOLVO 14321 VOLVO 2020 MSLE 2.3	€ 92,22	
15a	EXHAUST OUTLET YANMAR 3YM20 15KW(21CV)D	€ 52,57	
15b	EXHAUST SKIN FITTING D45 YANMAR 2GM20 18CV	€ 46,00	
16	FUEL LINE DIA 8 YANMAR 3YM20 15KW(21CV)D	€ 9,07	

No.	SO29200044a	Price ex VAT	
1	BAGUE DEL.D120 EP.6 MM	€ 33,03	
2	RUDDER UPPER BEARING	€ 49,26	
3	TILLER ARM STOP	€ 45,88	
4	TILLER WOOD SO292	€ 438,55	
5	TETE BARRE SO292 IN.	€ 80,33	
6	RIGID ALU STICK	€ 61,57	
7	TILLER EXTENSION CLIP 'GOLF'	€ 1,05	
8	ELASTOMER RING D.94/59X85	€ 55,50	
9	PALIER DEL.D40 INT/JOIN	€ 73,89	
10	NOIX BRONZE SO292 D40	€ 151,35	
11	TORIC SEAL 3,53X39,70 DERIVEUR	€ 8,19	
12	PLAST ARTICULATED JOINT D16 IGUS DERIVEUR	€ 18,44	
13		<i>by request</i>	
14	SO322-BI-PAL.BAS MECHE SU DERIVEUR	€ 116,90	
15	SO322-BI-MECH.SU.D40-L514 DERIVEUR	€ 411,50	
16	SO322-BI-PALONNIER DERIVEUR	€ 61,34	
17	RING 10X16 DERIVEUR	€ 19,14	
18	SO292-BAGUE DELR. D40 EP6 DERIVEUR	€ 18,87	
19	SAFRAN SO29.2/SO32.2 DER. DERIVEUR	€ 1.640,38	

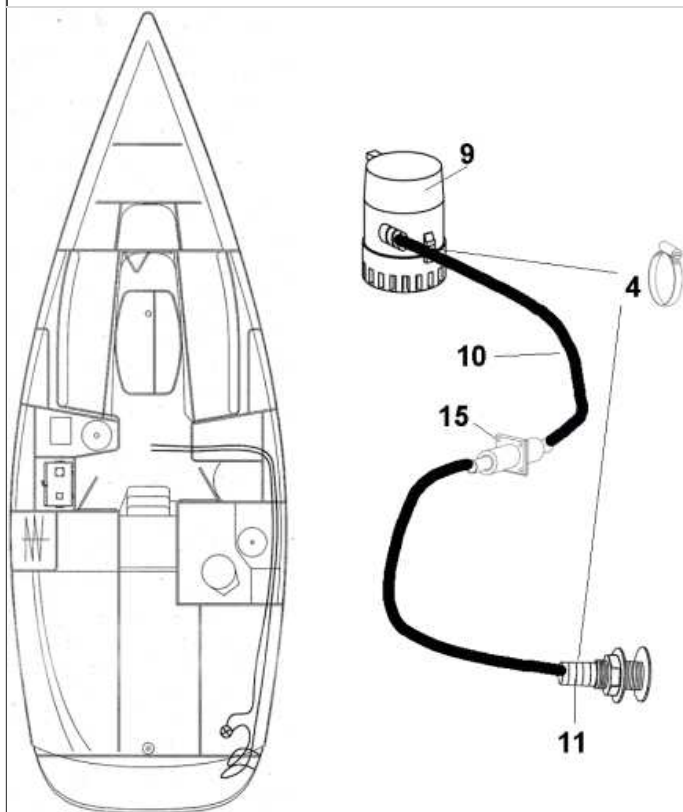


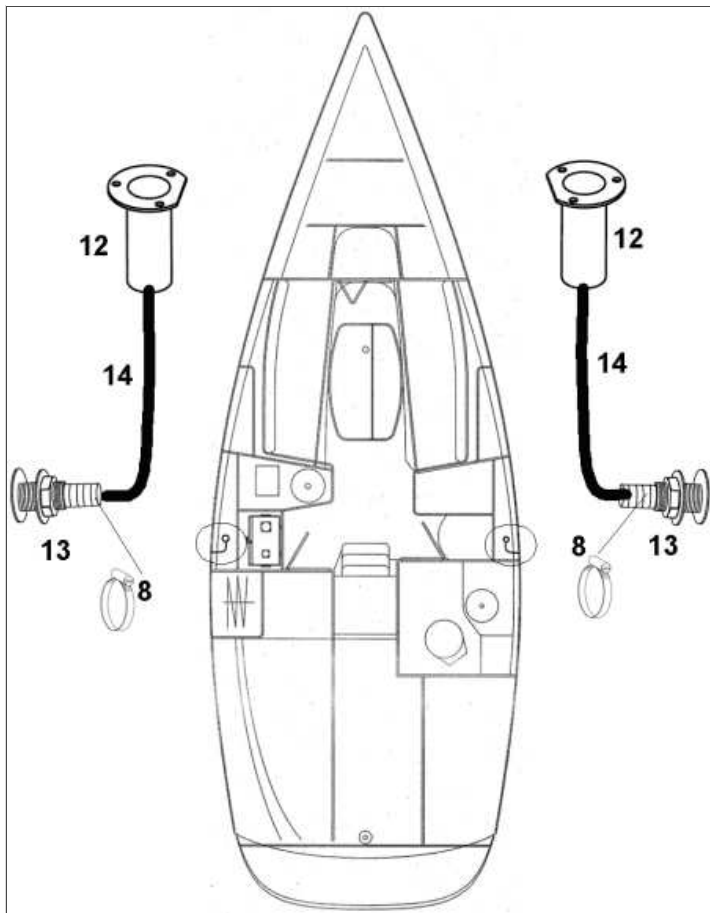


No.	SO29200045a	Price ex VAT	
1a	QUILLE SO292 Q.FONTE 2Q1 QUILLARD Hull No: 1 -> 244	€ 3.622,48	
1b	QUILLE SO292 GTE FONTE TRAITEE 2Q1 QUILLARD Hull No: 245 ->	€ 3.389,45	
2	ZINC-PLATED STEEL SCREW S 2Q1 QUILLARD	€ 6,12	
3	RONDELLE AZ D22/65/8 BIC 2Q1 QUILLARD	€ 3,83	
4	STEEL NUT 2Q1 QUILLARD	€ 2,42	
5a	QUILLE SO292 DERIVEUR DERIVEUR MONO-SAFRAN Hull No: 1 -> 242	€ 4.316,13	
5b	QUILLE SO292 DER FONTE TRAITEE DERIVEUR MONO-SAFRAN Hull No: 243 ->	€ 4.378,65	
6	AO322-BAGUE DERIVE DERIVEUR MONO-SAFRAN	€ 31,43	
7	SO322- PLAT/SYST.DERIVE DERIVEUR MONO-SAFRAN	€ 23,59	
8	AXE IN.DERIVE CP SO292 DERIVEUR MONO-SAFRAN	€ 78,88	
9	DERIVE SO292 AC.GALVA DERIVEUR MONO-SAFRAN	€ 2.116,67	
10a	TOLE ORIEN. BLOQUEUR SO292 DERIVEUR MONO-SAFRAN Hull No: 1 -> 303	€ 37,19	
10b	VERTICAL BRACKET BLOCK D25 DERIVEUR MONO-SAFRAN Hull No: 304 ->	€ 11,70	
11	CENTER BOARD AXLE DERIVEUR MONO-SAFRAN	€ 15,09	
12	BLACK TRAP DOOR DERIVEUR MONO-SAFRAN	€ 36,47	
13	WELDING CHAINPLATE D8 DERIVEUR MONO-SAFRAN	€ 15,55	
14a	STOPPER XA1 BLACK AUTOM.SINGLE DERIVEUR MONO-SAFRAN Hull No: 1 -> 90401	€ 60,70	

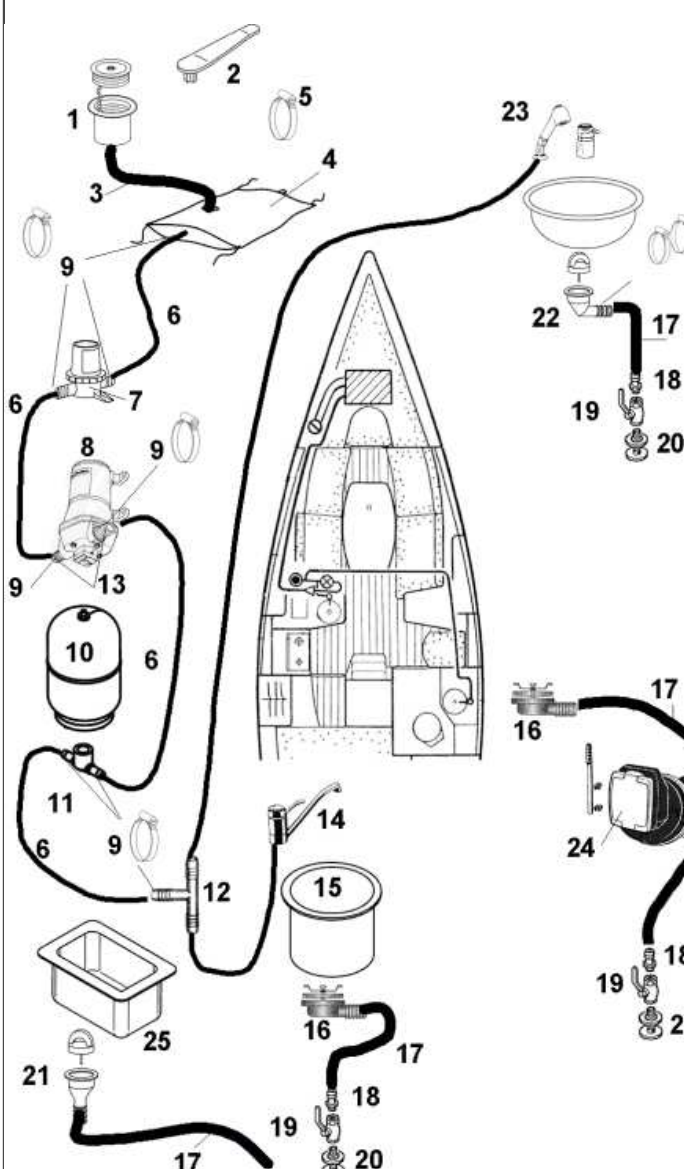
14b	STOPPER XA1 BLACK AUTOM.SINGLE NM DERIVEUR MONO-SAFRAN Hull No: 401 ->	€ 62,80	
15	FURLING LINE BLOCK DERIVEUR MONO-SAFRAN	€ 57,42	
16	CORD.TERG.TRESSE D10 BLEU DERIVEUR MONO-SAFRAN	€ 2,98	
17	POULIE ZD 60 VIOLON + CHAPE DERIVEUR MONO-SAFRAN	€ 19,91	
18	POULIE ZD D60 VR/CHAPE DERIVEUR MONO-SAFRAN	€ 23,32	

No.	SO29200051a	Price ex VAT	
1	MANUAL BILGE PUMP 1ACTION 0.7L/C	€ 72,09	
2	PLASTIC GROOVED SKIN FITTING 33X42	€ 2,92	
3	PVC TUBE	€ 3,05	
4	CLAMPING COLLAR	€ 1,61	
5	STAINLESS STEEL MACHINE S	€ 0,40	
6	S/S WASHER DIA 6	€ 0,05	
7	S.STEEL HEX NUT DIA 6	€ 0,08	
8	CLAMPING COLLAR	€ 0,80	
9	ELECTRIC BILGE PUMP	€ 30,45	
10	TRANSLUCID PVC TUBE	€ 3,35	
11	PLASTIC GROOVED SKIN FITTING 20X27	€ 2,90	
12	DALOT IN.PR36 FLY D20 L50 Hull No: 523 ->	€ 17,60	
13	PLASTIC GROOVED SKIN FITTING 20X27 Hull No: 523 ->	€ 2,90	
14	TRANSLUCID PVC TUBE	€ 3,35	
15	NON-TETURN VALVE D25-38	€ 20,02	





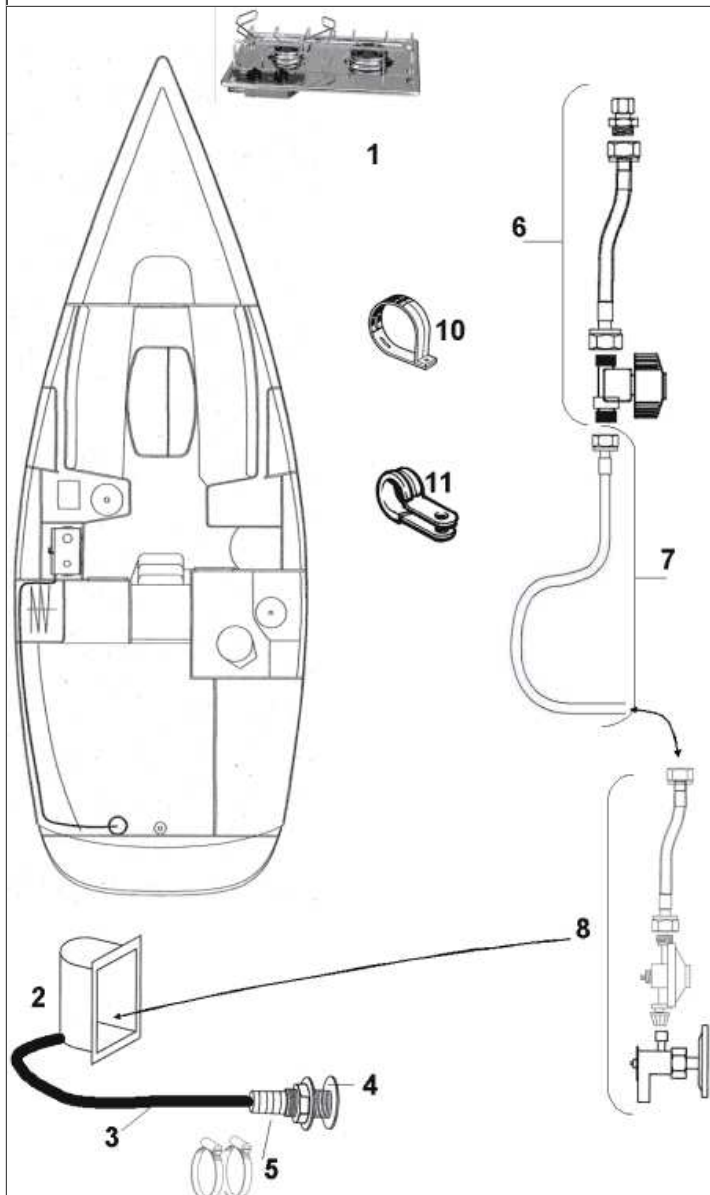
No.	SO29200051b	Price ex VAT	
8	CLAMPING COLLAR	€ 0,80	
12	DALOT IN.PR36 FLY D20 L50 Hull No: 523 ->	€ 17,60	
13	PLASTIC GROOVED SKIN FITTING 20X27 Hull No: 523 ->	€ 2,90	
14	TRANSLUCID PVC TUBE	€ 3,35	



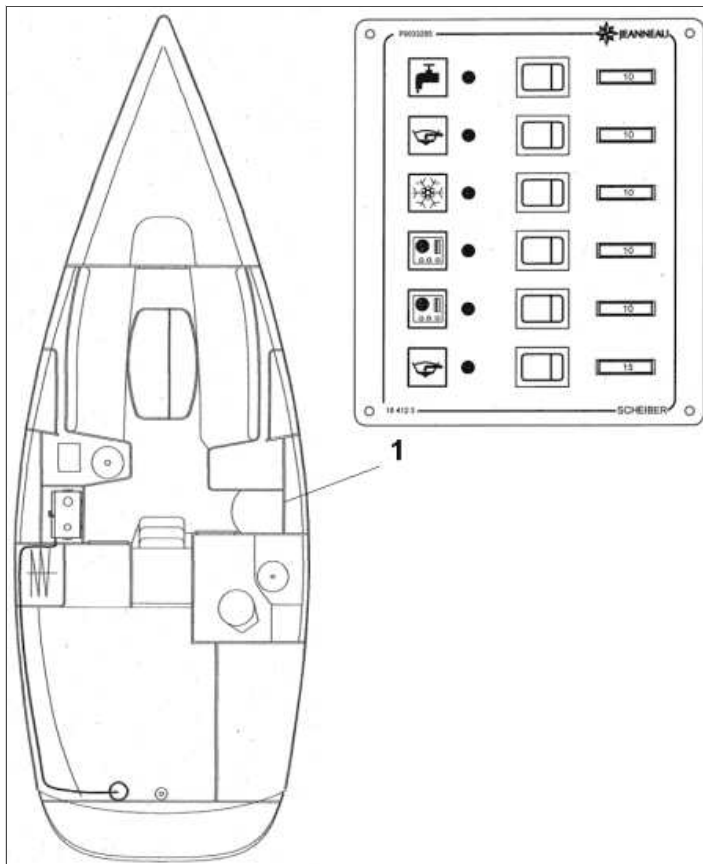
No.	SO29200053a	Price ex VAT	
1a	NYLON DECK FILLER/WATER (BLUE) Hull No: 1 -> 80900	€ 21,98	
1b	PLASTIC DECK BUNG 'WATER' Hull No: 90900 ->	€ 18,50	
2	TIGHTEN.SPANNER/WATER TANK DECK FILL.CAP	€ 5,10	
3	PVC TUBE	€ 6,34	
4	SUPPLE TANK WATER	€ 60,52	
5	CLAMPING COLLAR	€ 1,61	
6	TRICOCLAIR HOSE B1 12X18	€ 3,24	
7	WATER FILTER IN 1/2	€ 11,89	
8a	ELECTIC PUMP 12V 12L/MIN FLOJET 30PSI Hull No: 1 -> 201000	€ 130,57	
8b	ELECTIC PUMP 12V 12L/MIN FLOJET 30PSI Hull No: 11000 ->	€ 130,57	
9	CLAMPING COLLAR	€ 1,46	
10a	EXPANSION VESSEL FOR WATER ITT 1L Hull No: 1 -> 440	€ 50,55	
10b	PRESSURE REGULATING EXPEN Hull No: 441 ->	€ 50,54	
11	T PLASTIQUE ITT VASE EXPANS. Hull No: 441 ->	€ 10,45	
12	WHITE PLASTIC	€ 3,76	
13	LOT DE 10 Hull No: 585 ->	€ 4,11	
14	MITIGEUR CUISINE COURT	€ 89,30	
15	S/S SINK DIAM.310 DEPTH.175	€ 103,58	
16	SINK BUNG D25 GROOVED	€ 15,40	
17	PVC TUBE	€ 3,05	
18	RIBBED FITTING SOCKET 1' 26X34	€ 6,90	
19	2 WAY VALVE 1/4 FF26X34 BRASS S/S.	€ 13,00	
20	HULL OUTLET	€ 31,95	
21	W.BASIN PLASTIC DRAIN RIGHT WHITE	€ 2,85	
22	WASHBASIN ELBOW SINKWASTE	€ 4,90	
23	SHOWER POMMEL+PUSH+FLEX.L2000	€ 29,20	
24	MANUAL BILGE PUMP 1ACTION 0.7L/C	€ 72,09	
25	ICEBOX PR SO292	<i>by request</i>	



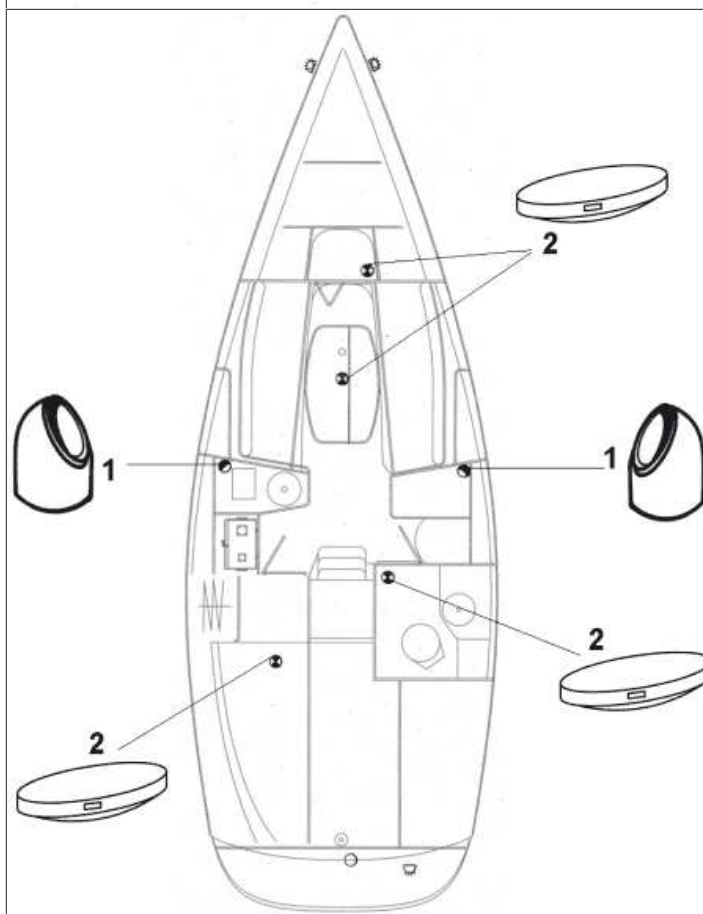
No.		Price ex VAT	
	SO29200054a		
1a	PORCELAIN SEA TOILET Hull No: 1 -> 531	€ 190,57	
1b	PORCELAIN SEA TOILET Hull No: 532 ->	€ 190,57	
2	TRANSLUCID PVC TUBE	€ 3,35	
3	RIBBED FITTING SOCKET	€ 4,10	
4	ELBOW STREET 90° BRASS MF 20X27	€ 5,50	
5	VALVE BALL 1/4 T 20X27 BR W/ S/S HANDLE	€ 9,00	
6	HULL OUTLET	€ 24,10	
7	GREEN PVC TUBE	€ 10,56	
8	RIBBET FITTING SOCKET	€ 22,72	
9	VALVE Hull No: 1 -> 290204	€ 30,65	
10	VALVE Hull No: 10304 -> 90404	€ 30,65	
11	VALVE Hull No: 404 ->	€ 30,65	
12	HULL OUTLET	€ 32,40	



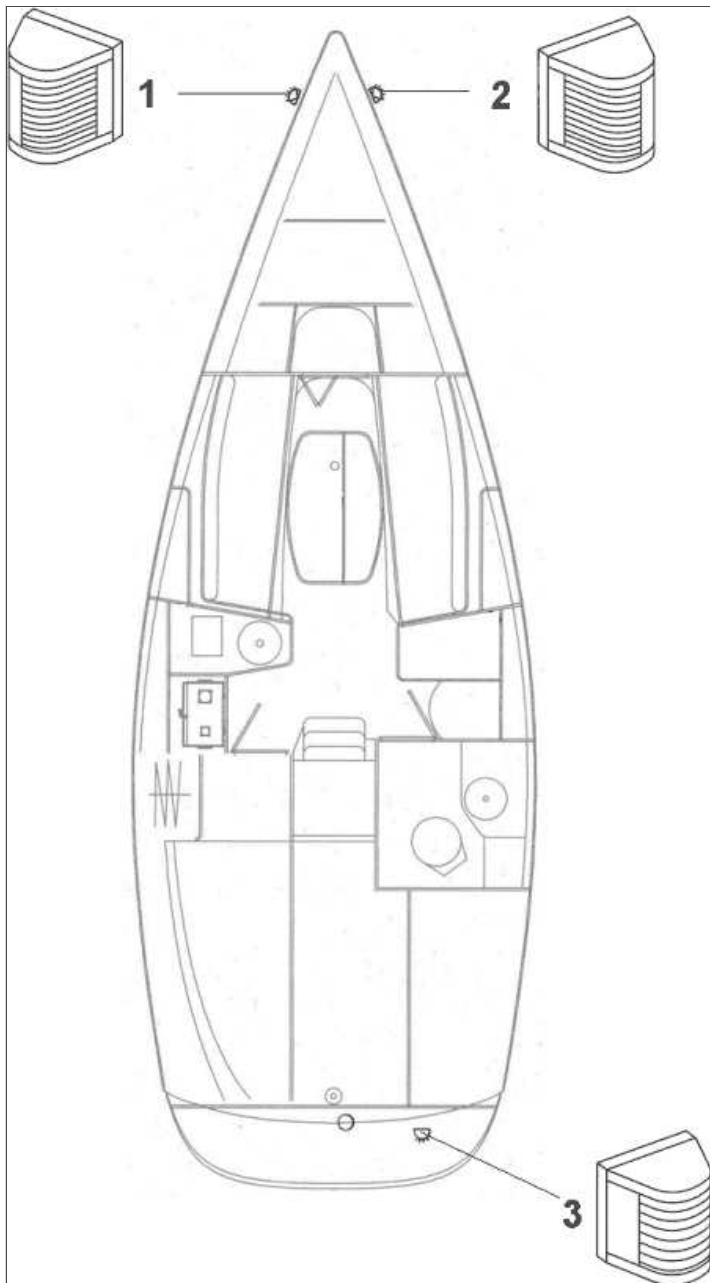
No.		Price ex VAT	
	SO29200060a		
1a	2 BURNER HOB Hull No: 1 -> 499	€ 298,51	
1b	2 BURNER HOB Hull No: 500 ->	€ 340,56	
2	BOITE A GAZ SO292/SO322	€ 169,60	
3	TRANSLUCID PVC TUBE	€ 3,35	
4	PLASTIC GROOVED SKIN FITTING 20X27	€ 2,90	
5	CLAMPING COLLAR	€ 1,46	
6a	KIT RAC.APPAREIL GAZ L 600 Hull No: 469 -> 581	€ 52,73	
6b	FITTING KIT LPG L1000 Hull No: 582 ->	€ 57,94	
6c	KIT GAZ 30 ET 50MBAR ROBINET Hull No: 295 -> 468	€ 52,37	
7a	COPPER TUBE	€ 5,55	
7b	KIT RAC.CUIVRE L 5000 Hull No: 469 -> 471	€ 74,87	
7c	KIT RAC.CUIVRE L 4000 Hull No: 472 ->	€ 68,11	
8a	KIT GAZ STD.30MBAR DETENDEUR Hull No: 295 -> 468	€ 88,84	
8b	GAS KIT/GAS BOTTLE FRENCH (C.E) 30MB Hull No: 469 ->	€ 93,10	
9	COLLIER ENO/TUYAU GAZ Hull No: 404 ->	€ 3,68	
10	COLLIER SPECIF.TUYAU GAZ SOUPL Hull No: 469 ->	€ 0,33	






No.	SO29200061a	Price ex VAT	
1	TABLE	€ 117,57	

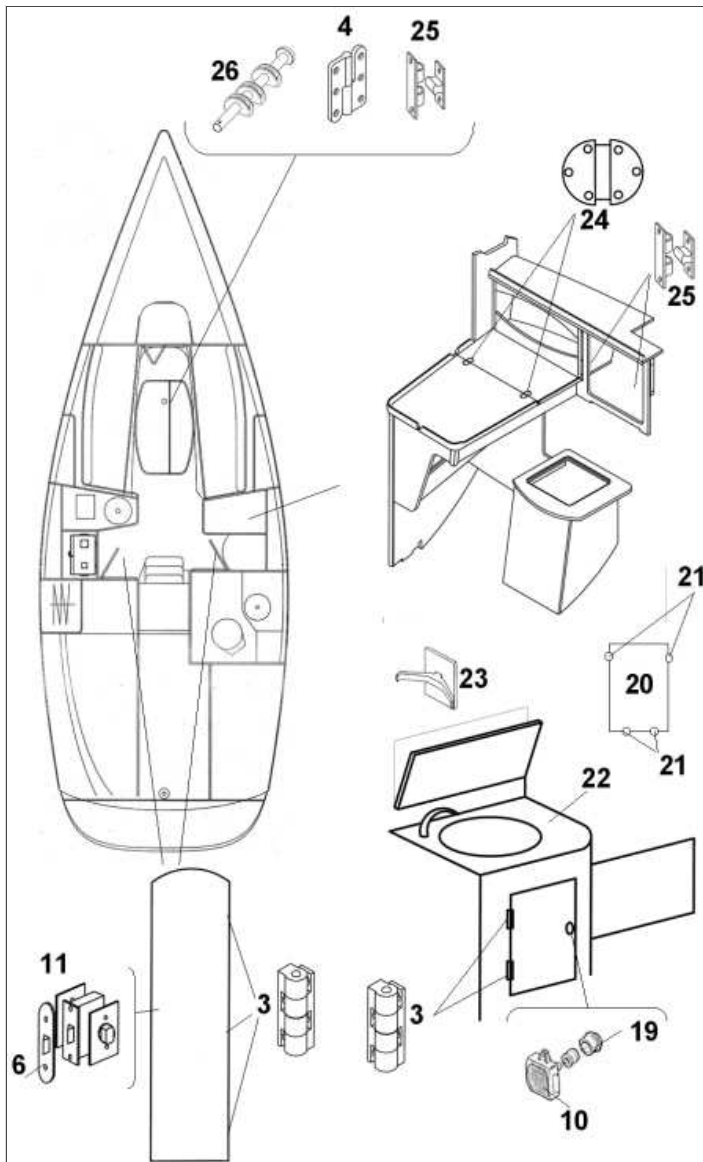


No.	SO29200063a	Price ex VAT	
1	HALOGEN SPOT WHITE ADJUSTABLE+SWITCH	€ 31,10	
2	WHITE CEILING LIGHT 12V+INTERRUPT.	€ 24,94	



No.	SO29200064a	Price ex VAT	
1	PS RED NAVIGATION LIGHT	€ 11,53	
2	SB GREEN NAVIGATION LIGHT	€ 11,53	
3	STERN LIGHT	€ 11,53	

No.	SO29200072a	Price ex VAT	
1	BRASS DOOR CLEAT	€ 5,25	
2	TOURNIQUET DOUBLE	€ 20,48	
3	CHROMED BRASS HINGE	€ 4,10	
4	R. HINGE PLATE	€ 6,90	
5	NICKELED BRASS HANDLE	€ 8,23	
7	WARDROBE RAIL SUPPORT	€ 4,38	
8	WOODEN STICK FOR WARDROBE	€ 6,06	
9a	BUTTON PUSH LOCK+ TEAK FLANGE 98 Hull No: 21098 -> 300102	€ 5,60	
9b	BUTTON PUSH LOCK+ TEAK FLANGE 98 Hull No: 10102 ->	€ 5,60	
10	PUSH-LOCK	€ 3,20	
12	ANTISKID TAPE	€ 5,25	
13	TUBE LOVER	€ 2,60	
15	WHITE NYLON ROPE D04	€ 0,30	
16	SET METAL PLATE	€ 43,59	
17	BASIN RING	€ 5,40	
18	PLASTIC SUPPORT/DUSTBIN BAG	€ 25,60	



No.		Price ex VAT	
3	CHROMED BRASS HINGE	€ 4,10	
4	R. HINGE PLATE	€ 6,90	
6	AL KEEPER OF LOCK / SLIDI	€ 14,29	
10	PUSH-LOCK	€ 3,20	
11	INVERTING LOCK WO KEEPER	€ 68,56	
19	PUSH-LOCK COL. + BUTTON	€ 2,30	
20	MIRROR	€ 16,13	
21	MIRROR FIXING CLIP	€ 15,18	
22	MEUBLE SALLE EAU SO292	€ 447,54	
23	CHROMED HAT PEG	€ 8,20	
24	CHROMED BRASS HINGE 47X30	€ 5,90	
25	CATCH S/S BALL P0044503	€ 6,15	
26	BRACE FOR SALOON EXTENSIO	€ 45,67	

	No.	SO29200084a	Price ex VAT	
	1a	DECO.SO292 97 Hull No: 1 -> 303	€ 294,67	
	1b	DECO.SO292 M2001 Hull No: 304 ->	€ 248,82	
	2a	SO29.2-MONOGRAMME 97 Hull No: 1 -> 303	€ 39,19	
	2b	SO29.2-MONOGRAMME 97 Hull No: 304 ->	<i>by request</i>	
	3	DECO.GLAIVE+ETOILE BLEU/OR 350 Hull No: 304 ->	€ 36,23	
	4	DECO.BDE BLEU/OR 16MM Hull No: 304 ->	€ 6,30	
	5	DECO.BDE BLEU 9MM 2001 Hull No: 304 ->	€ 2,15	
	6	DECO.BDE BLEU 50MM 2001 Hull No: 304 ->	€ 3,64	
	7	LOGO ABS CHROME JEANNEAU Hull No: 304 ->	€ 12,50	
	8	GREY HORIZONT.JEAN.STICKE Hull No: 1 -> 303	€ 26,20	
	9	VERTICAL96 JEANNEAU STICK Hull No: 1 -> 303	€ 22,35	
	10	GREY STRIPE Hull No: 1 -> 303	€ 1,75	
	11	BLUE TAPE DECO H=50MM Hull No: 1 -> 303	€ 3,58	