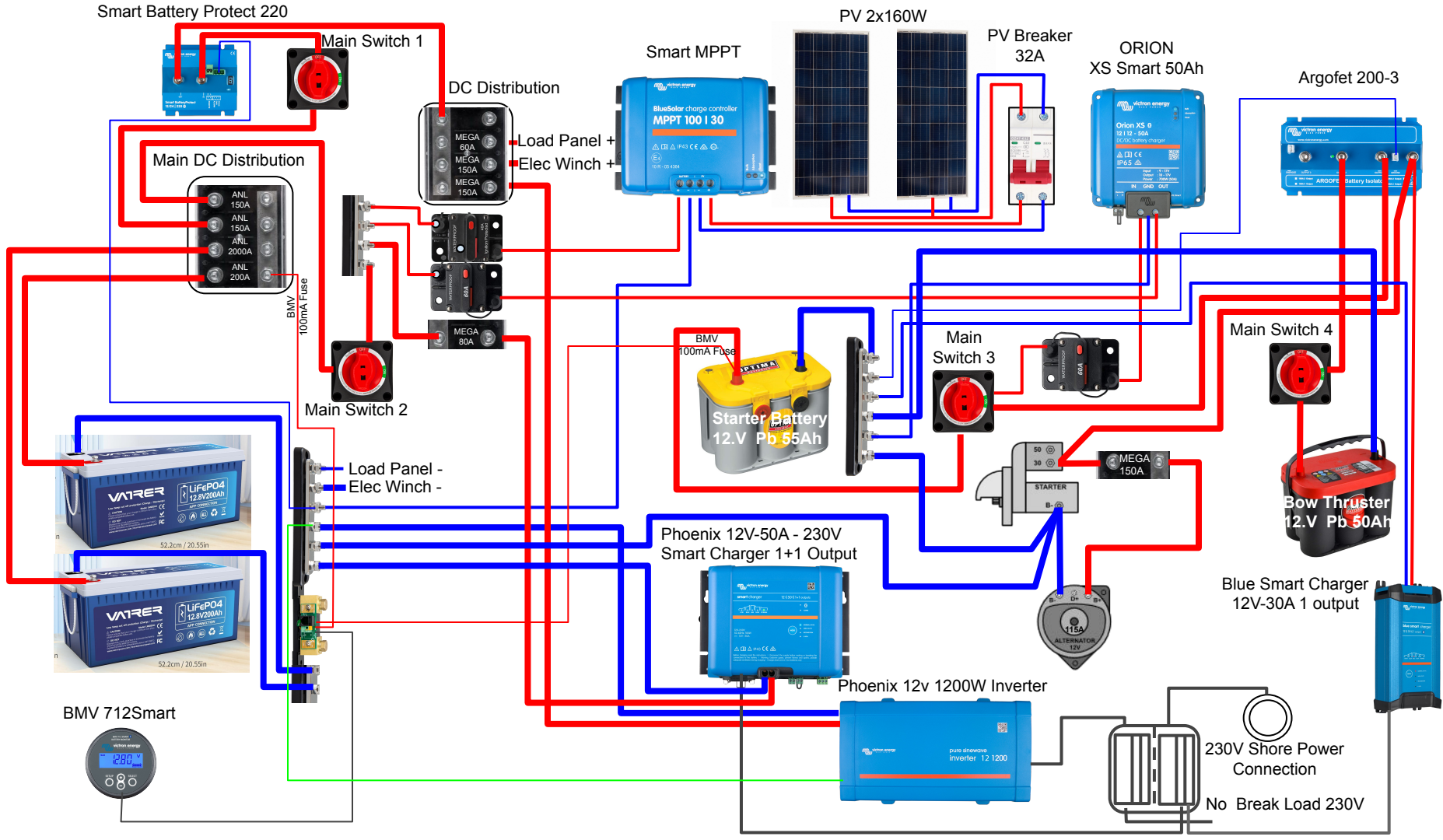


Service 2x12.8v 200Ah LiFePO4



Smart Battery Protect 220

Main Switch 1

Smart MPPT

PV 2x160W

PV Breaker 32A

ORION XS Smart 50Ah

Argofet 200-3

Main DC Distribution

DC Distribution

Load Panel + Elec Winch +

BlueSolar charge controller MPPT 100 I 30

Orion XS 6 12 15 - 50A DC-DC battery charger

ARGOFET Battery loader

BMV 100mA Fuse

Main Switch 2

Starter Battery 12.V Pb 55Ah

BMV 100mA Fuse

Main Switch 3

MEGA 80A

Main Switch 4

Bow Thruster 12.V Pb 50Ah

Load Panel - Elec Winch -

Phoenix 12V-50A - 230V Smart Charger 1+1 Output

Main Switch 3

MEGA 150A

Blue Smart Charger 12V-30A 1 output

VATER LiFePO4 12.8V 200Ah

52.2cm / 20.55in

VATER LiFePO4 12.8V 200Ah

52.2cm / 20.55in

BMV 712Smart



Phoenix 12V 1200W Inverter

pure sinewave Inverter 12 1200

230V Shore Power Connection

No Break Load 230V