



## Spare parts catalog- Yanmar engines

(A) = SD20

(B) = SD30

(C) = SD31

Fig.1.MOUNTING FLANGE

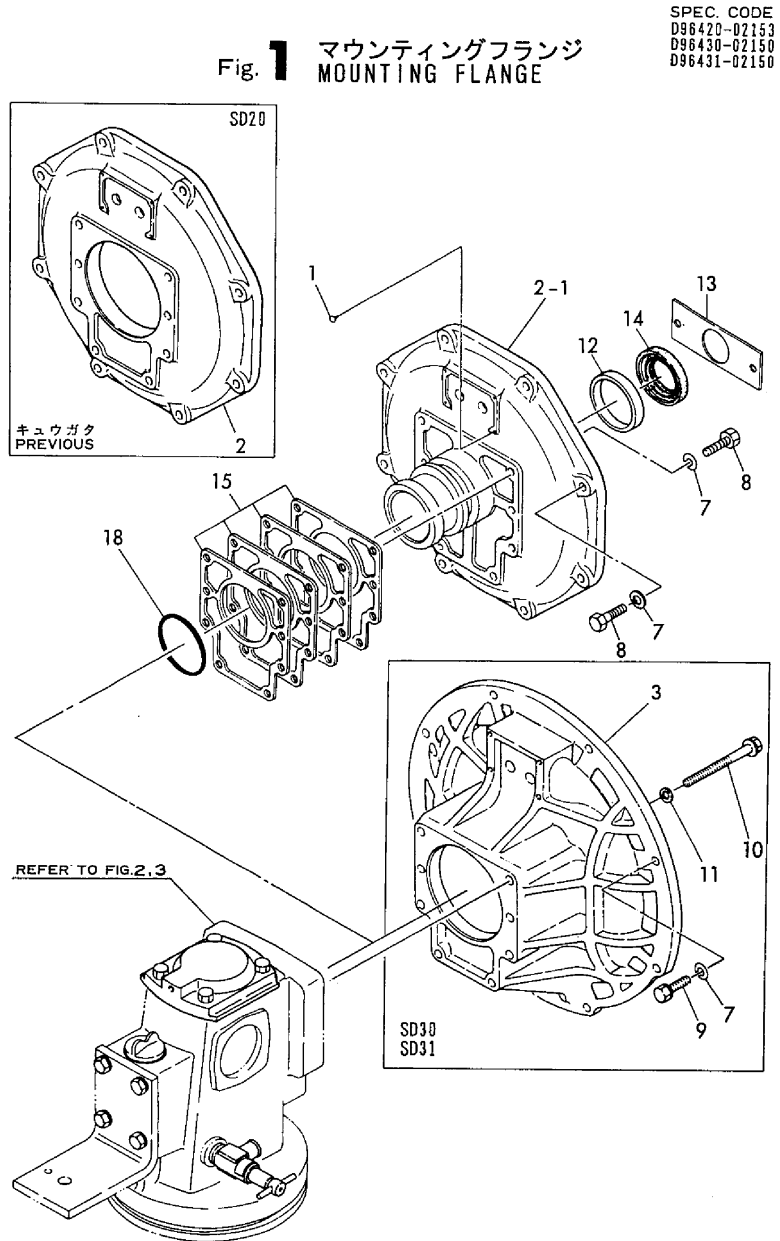


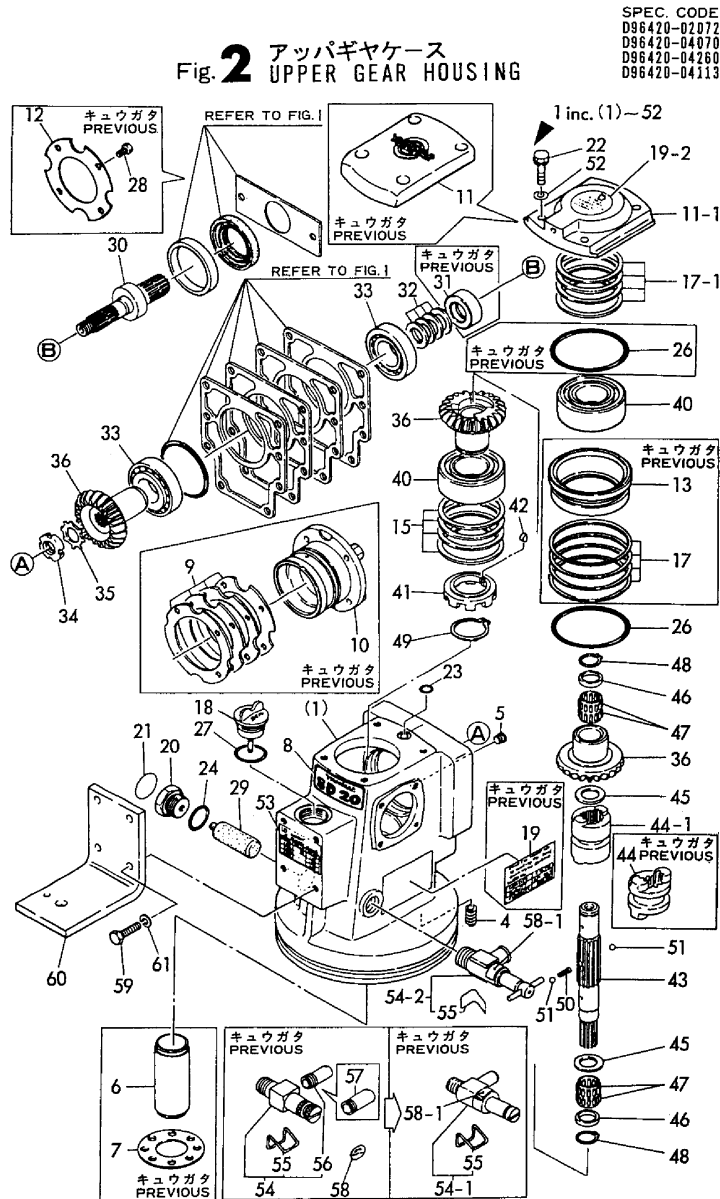
Fig. 1 マウンティングフランジ  
MOUNTING FLANGE

SPEC. CODE  
D96420-02153  
D96430-02150  
D96431-02150

(A)=SD20 (D)=  
(B)=SD30 (E)=  
(C)=SD31 (F)=

REF.	LEV.	PARTS NO.	DESCRIPTION	QTY						I	R
				(A)	(B)	(C)	(D)	(E)	(F)		
1	1	196311-02060	RIVET 2X5	4	4	4					
2	1	196420-02110	FLANGE, MOUNTING	1							
2-1	1	196420-02111	FLANGE, MOUNTING	1							S
(A=*1984.01)											
3	1	196430-02110	FLANGE, MOUNTING		1	1					
7	1	22217-080000	SPRING WASHER 8	16	8	8					
8	1	26206-080302	BOLT M8X30	16							
9	1	26206-080252	BOLT M8X25		8	8					
10	1	26116-081102	BOLT M 8X110 PLATED		8	8					
11	1	22217-080000	SPRING WASHER 8		8	8					
12	1	196420-02170	SPACER	1							W
(A=*1986.01)											
13	1	196420-02180	RETANER	1							W
(A=DXXX)											
14	1	101158-02220	SEAL, OIL	1							W
(A=*1986.01)											
15	1	196420-02470	SHIM SET	1							W
(A=*1984.01)											
18	1	24321-000650	O-RING 1A G-65.0	1							W
(A=*1986.01)											

Fig.2.UPPER GEAR HOUSING



SPEC. CODE  
 D96420-02072  
 D96420-04070  
 D96420-04260  
 D96420-04113

Fig.2 アッパギヤケース  
 UPPER GEAR HOUSING

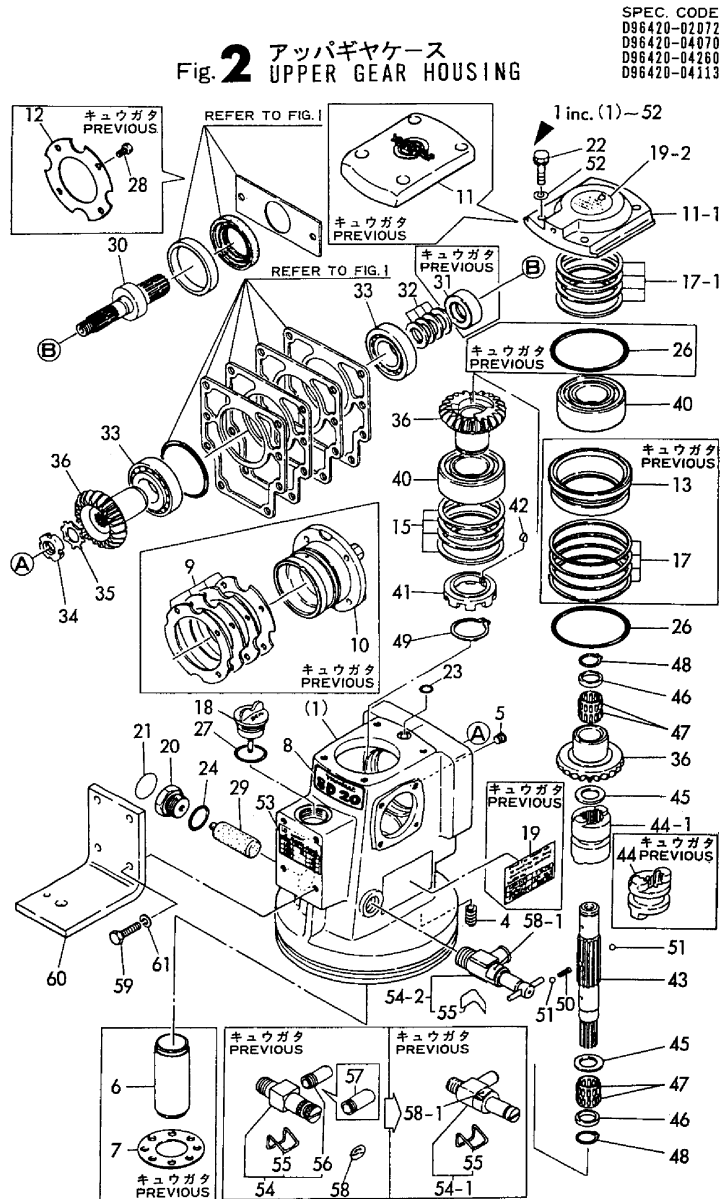
Remarks  
 1)OPTIONAL

(A)=SD20 (D)=  
 (B)=SD30 (E)=  
 (C)=SD31 (F)=

REF.	LEV.	PARTS NO.	DESCRIPTION	QTY						I	R
				(A)	(B)	(C)	(D)	(E)	(F)		
1	1	796420-02900	HOUSING ASSY, GEARS	1							
1-1	1	796420-02901	HOUSING ASSY, UPPER	1							S
		(A=D2129)									
4	3	196420-02050	INSEAT, LOCK	8							
5	3	196311-02080	PLUG	1							
5-1	3	23871-010000	PLUG PT1/8,SCREW	1							R
		(A=DXXX)									
6	2	196420-02030	GUIDE, OIL	1							Z
		(A=D0820)									
7	2	196420-02040	BRACKET, OIL GUID	1							Z
		(A=D0820)									
8	2	196420-02060	LABEL, NAME	1							
9	2	196311-02120	SHIM SET	1							Z
		(A=*1984.01)									
10	2	196420-02141	HOUSING, BEARING	1							Z
		(A=D0909)									
11	2	196420-02151	COVER, UPPER	1							
11-1	2	196420-02152	COVER, UPPER	1							S
		(A=D0916)									
11-2	2	196420-02153	COVER, UPPER	1							N
		(A=*1992.11)									
12	2	196311-02160	RETAINER	1							Z
		(A=*1984.01)									
13	2	196420-02160	SUPPORT, BEARING	1							Z
		(A=D0916)									
14	2	196420-02170	SPACER	1							Z
		(A=*1984.01)									
15	2	196420-02200	SHIM SET 72	1							
16	2	101158-02220	SEAL, OIL	1							Z
		(A=*1984.01)									
17	2	196420-02250	SHIM SET 82	1							
17-1	2	196420-02200	SHIM SET 72	1							N
		(A=D0916)									
18	2	196420-02350	CAP W/DIPSTICK	1							
19	2	196420-02360	LABEL, LUB OIL	1							
19-1	2	196420-02361	LABEL, LUB. OIL	1							N
		(A=DXXX)									
19-2	2	196420-02362	LABEL	1							S
		(A=D0916)									
19-3	2	196420-02363	LABEL, LUB OIL	1							N
		(A=*1992.05)									
20	2	196420-02430	PLUG M24	1							
21	2	196420-02440	LABEL, ZINC	1							
22	2	26206-080252	BOLT M8X25	4							
23	2	24311-000110	O-RING 1A P-11.0	1							
24	2	24321-000250	O-RING 1A G-25.0	1							
25	2	24321-000650	O-RING 1A G-65.0	1							Z
		(A=*1984.01)									
26	2	24321-000750	O-RING 1A G-75.0	2							
26-1	2	24321-000750	O-RING 1A G-75.0	1							K
		(A=DXXX)									
27	2	24341-000320	O-RING 1A S-32.0	1							
28	2	26016-060302	BOLT M 6X 30	4							Z
		(A=D0909)									

++ CONTINUE ++

Fig.2.UPPER GEAR HOUSING



(A)=SD20 (D)=  
(B)=SD30 (E)=  
(C)=SD31 (F)=

REF.	LEV.	PARTS NO.	DESCRIPTION	QTY						I	R
				(A)	(B)	(C)	(D)	(E)	(F)		
29	2	27210-200550	ZINC, ANTI-CORROSIVE	1							
30	2	196420-04130	SHIFT, PINION	1							
31	2	196420-04140	COLLAR	1							Z
(A=*1983.10)											
32	2	196420-04150	SHIM SET 20	1							
32-1	2	196312-04150	SHIM SET	1							N
(A=DXXX)											
33	2	24141-302060	ROLLER BEARING	2							
34	2	24211-015002	LOCK NUT M15	1							
35	2	24231-015000	WASHER 15	1							
36	2	196420-04700	GEAR ASSY, UPPER	1							
40	2	24512-052074	BALL BEARING	2							
41	2	196311-04271	PUMP, OIL	1							
42	2	196311-04280	KEY 4X13	1							
43	2	196311-04300	SHAFT, CLUTCH	1							
44	2	196420-04310	DOG CLUTCH	1							
44-1	2	196311-04310	DOG, CLUTCH	1							S
(A=D2129)											
45	2	196311-04320	COLLAR	2							
46	2	196311-04340	COLLAR	2							
47	2	196311-04350	NEEDLE BERG.#K202413	4							
48	2	196311-04360	CIRCLIP	2							
48-1	2	24164-000202	CIRCLIP 20-S	2							N
(A=DXXX)											
49	2	22242-000350	CIRCLIP 35	1							
50	2	189060-26760	SPRING	1							W
(A=D2129)											
51	2	24190-080001	BALL 1/4, STEEL	2							W
(A=D2129)											
52	2	22217-080000	SPRING WASHER 8	4							
53	1	196420-02320	LABEL, ABSORBER	1							
54	1	196420-02402	COCK W/JOINT,C.WATER	1							
54-1	1	196420-02390	COCK ASSY, C. WATER	1							N
(A=DXXX)											
54-2	1	196420-02391	COCK ASSY, C. WATER	1							N
(A=D5204)											
55	2	196420-02981	SPRING	1							
56	2	196420-02991	JOINT 14	1							Z
(A=D0755)											
57	1	196420-02420	JOINT 18	1							Z 1
(A=DXXX)											
58	1	196420-02411	LABEL, C.W. COCK	1							
58-1	1	196420-02412	LABEL, C.W COCK	1							N
(A=DXXX)											
59	1	26206-080252	BOLT M8X25	4							
60	1	196420-02300	BRACKET	1							
61	1	22217-080000	SPRING WASHER 8	4							

Remarks  
1)OPTIONAL

Fig.3.UPPER GEAR HOUSING

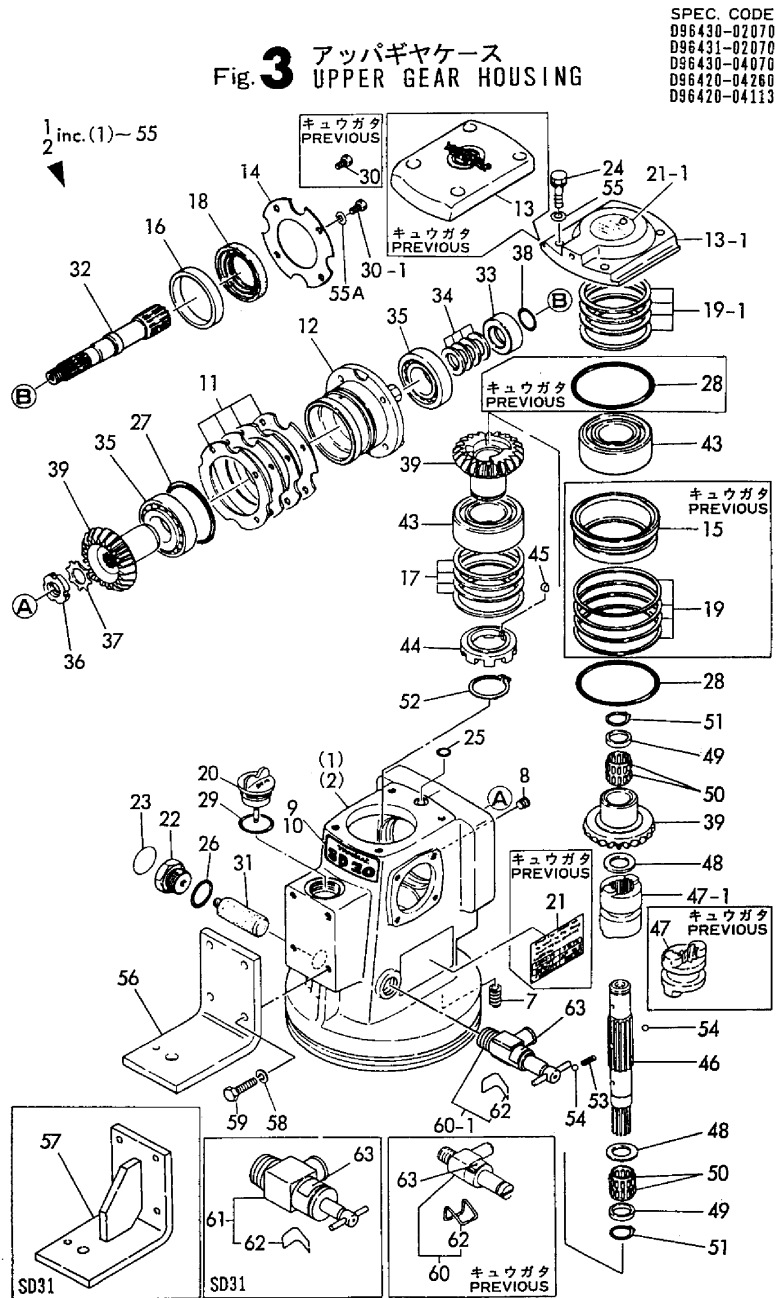


Fig.3 アップギヤケース  
UPPER GEAR HOUSING

SPEC. CODE  
D96430-02070  
D96431-02070  
D96430-04070  
D96420-04260  
D96420-04113

Y00F4021 3.UPPER GEAR HOUSING

(A)=SD20 (D)=  
(B)=SD30 (E)=  
(C)=SD31 (F)=

REF.	LEV.	PARTS NO.	DESCRIPTION	QTY						I	R
				(A)	(B)	(C)	(D)	(E)	(F)		
1	1	796430-02900	HOUSING ASSY, GEARS		1						
1-1	1	796430-02901 (B=D0107)	HOUSING ASSY, UPPER		1						S
2	1	796431-02900	HOUSING ASSY, UPPER						1		
7	3	196420-02050	INSEAT, LOCK		8	8					
8	3	196311-02080	PLUG		1						
8-1	3	23871-010000 (B=DXXX)	PLUG PT1/8,SCREW		1	1					R
9	2	196430-02060	LABEL, NAME		1						
10	2	196431-02060	LABEL, NAME			1					
11	2	196311-02120	SHIM SET		1	1					
12	2	196420-02141	HOUSING, BEARING		1	1					
13	2	196420-02151	COVER, UPPER		1						
13-1	2	196420-02152 (B=D0026)	COVER, UPPER		1						S
13-2	2	196420-02153 (B=*1992.11)	COVER, UPPER		1	1					N
14	2	196311-02160	RETAINER		1	1					
15	2	196420-02160 (B=D0026)	SUPPORT, BEARING		1						Z
16	2	196420-02170	SPACER		1	1					
17	2	196420-02200	SHIM SET 72		1	1					
18	2	101158-02220	SEAL, OIL		1	1					
19	2	196420-02250	SHIM SET 82		1						
19-1	2	196420-02200 (B=D0026)	SHIM SET 72		1	1					N
20	2	196420-02350	CAP W/DIPSTICK		1	1					
21	2	196420-02361	LABEL, LUB. OIL		1						
21-1	2	196420-02362 (B=D0026)	LABEL		1						S
21-2	2	196420-02363 (B=*1992.05)	LABEL, LUB OIL		1	1					
22	2	196420-02430	PLUG M24		1	1					
23	2	196420-02440	LABEL, ZINC		1	1					
24	2	26206-080252	BOLT M8X25		4	4					
25	2	24311-000110	O-RING 1A P-11.0		1	1					
26	2	24321-000250	O-RING 1A G-25.0		1	1					
27	2	24321-000650	O-RING 1A G-65.0		1	1					
28	2	24321-000750	O-RING 1A G-75.0		2						
28-1	2	24321-000750 (B=DXXX)	O-RING 1A G-75.0		1	1					K
29	2	24341-000320	O-RING 1A S-32.0		1	1					
30	2	26016-060302	BOLT M 6X 30		4	4					
30-1	2	26116-060302 (B=*1992.12) (C=*1992.12)	BOLT M 6X 30 PLATED		4	4					Q
31	2	27210-200550	ZINC, ANTI-CORROSIVE		1	1					
32	2	196430-04130	SHAFT, PINION		1	1					
33	2	196420-04140	COLLAR		1	1					
34	2	196312-04150	SHIM SET		1	1					
35	2	24141-302060	ROLLER BEARING		2	2					
36	2	24211-015002	LOCK NUT M15		1	1					
37	2	24231-015000	WASHER 15		1	1					
38	2	24311-000200	O-RING 1A P-20.0		1	1					
39	2	196420-04700	GEAR ASSY, UPPER		1	1					

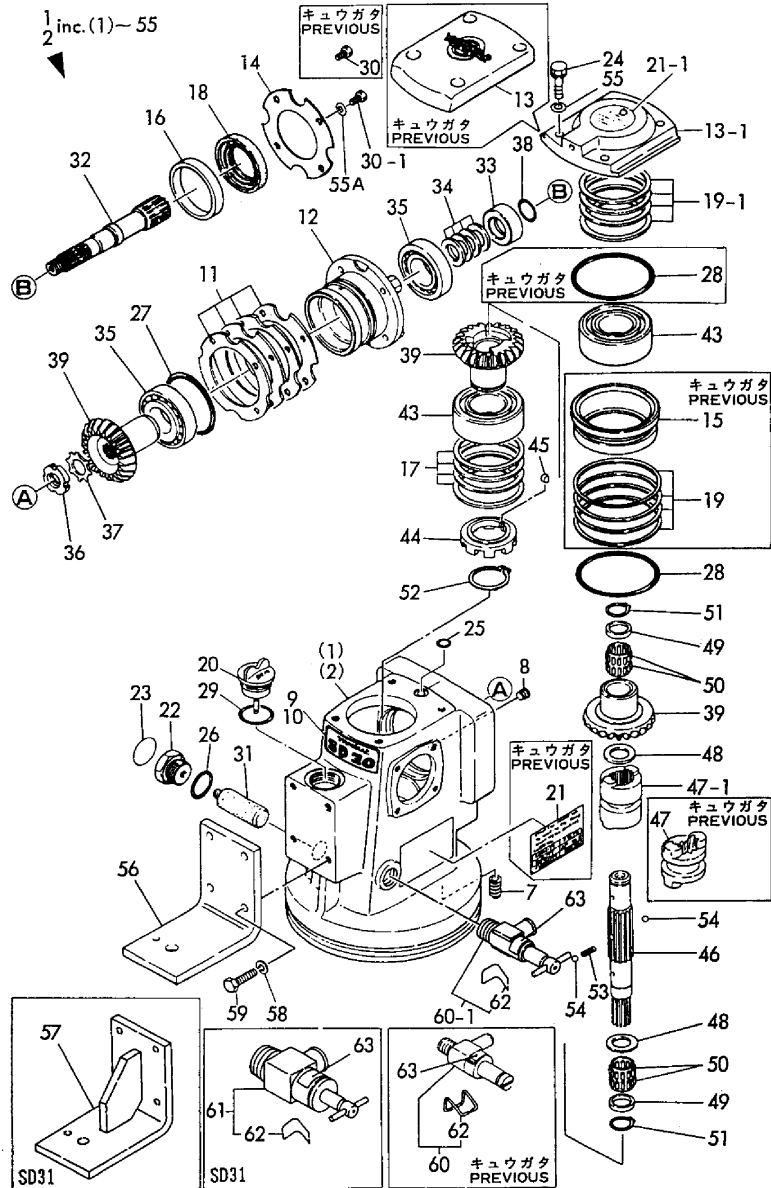
++ CONTINUE ++

Fig.3.UPPER GEAR HOUSING

(A)=SD20 (D)=  
 (B)=SD30 (E)=  
 (C)=SD31 (F)=

Fig.3 アップギヤケース  
 UPPER GEAR HOUSING

SPEC. CODE  
 096430-02070  
 096431-02070  
 096430-04070  
 096420-04260  
 096420-04113



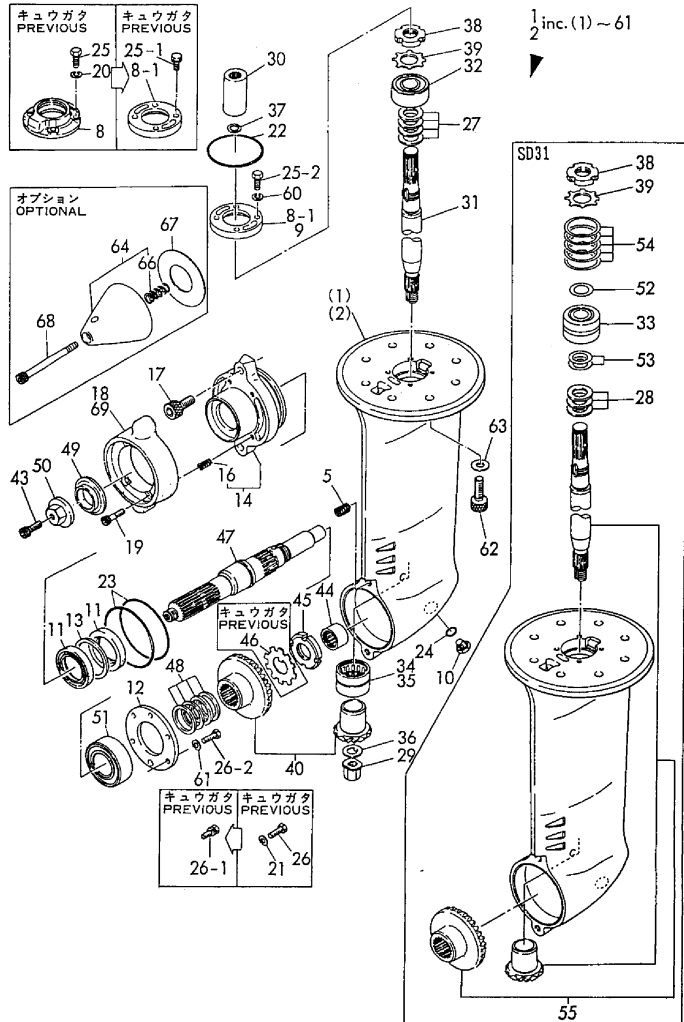
REF.	LEV.	PARTS NO.	DESCRIPTION	QTY						I	R
				(A)	(B)	(C)	(D)	(E)	(F)		
43	2	24512-052074	BALL BEARING		2	2					
44	2	196311-04271	PUMP, OIL		1	1					
45	2	196311-04280	KEY 4X13		1	1					
46	2	196311-04300	SHAFT, CLUTCH		1	1					
47	2	196420-04310	DOG CLUTCH		1						
47-1	2	196311-04310	DOG, CLUTCH		1	1					S
		(B=D0107)									
48	2	196311-04320	COLLAR		2	2					
49	2	196311-04340	COLLAR		2	2					
50	2	196311-04350	NEEDLE BERG.#K202413		4	4					
51	2	196311-04360	CIRCLIP		2						
51-1	2	24164-000202	CIRCLIP 20-S		2	2					N
		(B=DXXX)									
52	2	22242-000350	CIRCLIP 35		1	1					
53	2	189060-26760	SPRING		1	1					W
		(B=D0107)									
54	2	24190-080001	BALL 1/4, STEEL		2	2					W
		(B=D0107)									
55	2	22217-080000	SPRING WASHER 8		4	4					
55A	2	22282-060000	WASHER 6		4	4					W
		(B=*1992.12) (C=*1992.12)									
56	1	196420-02300	BRACKET		1						
57	1	196431-02300	BRACKET			1					
58	1	22217-080000	SPRING WASHER 8		4	4					
59	1	26206-080252	BOLT M8X25		4	4					
60	1	196420-02390	COCK ASSY, C. WATER		1						
60-1	1	196420-02391	COCK ASSY, C. WATER		1						N
		(B=D0266)									
61	1	196431-02390				1					
62	2	196420-02981	SPRING		1	1					
63	1	196420-02412	LABEL, C.W COCK		1	1					

Fig.4.LOWER GEAR HOUSING

(A)=SD20 (D)=  
 (B)=SD30 (E)=  
 (C)=SD31 (F)=

Fig.4 ローギヤケース LOWER GEAR HOUSING

SPEC. CODE  
 D96431-04170 D96420-02121  
 D96420-04330 D96431-02120  
 D96420-04231 D96420-02440  
 D96420-09200 D96420-04171



Remarks  
 1)INTERCHANGEABLE BY SIMULTANEOUS REPLACEMENT WITH FIG2-REF NO.6 AND REF NO.7.  
 2)OPTIONAL

Y00F4021 4.LOWER GEAR HOUSING

REF.	LEV.	PARTS NO.	DESCRIPTION	QTY						I	R	
				(A)	(B)	(C)	(D)	(E)	(F)			
1	1	796420-02910	HOUSING ASSY, GEARS	1								
1-1	1	796420-02911	HOUSING ASSY, GEARS	1	1						F 1	
(A=D0821)												
2	1	796431-02910	HOUSING ASSY, GEARS						1			
5	3	196420-02050	INSEAT, LOCK	2	2	2						
8	2	196420-02520	SUPPORT, BEARING	1								
8-1	2	196313-02510	SUPPORT, BEARING	1	1						F 1	
(A=D0821)												
9	2	196431-02520	SUPPORT, BEARING						1			
10	2	196420-02530	PLUG M10	1	1	1						
11	2	196313-02590	SEAL, OIL	2	2	2						
12	2	196420-02590	RETAINER, BEARING	1	1	1						
13	2	196313-02600	SPACER	1	1	1						
14	2	196420-02601	COVER ASSY, REAR	1	1	1						
16	3	196420-02620	INSERT, LOCK	4	4	4						
17	2	196420-02630	BOLT M10X25	2								
17-1	2	26453-100252	BOLT 10X25	2	2	2					R	
(A=DXXX)												
18	2	196420-02651	ZINC, ANTICORROSIVE	1	1	1						
19	2	196420-02661	BOLT M 6X 20	4								
19-1	2	26453-060202	BOLT 6X20	4	4	4					R	
(A=DXXX)												
20	2	22287-060000	WASHER 6	4							Z	
(A=DXXX)												
21	2	22287-060000	WASHER 6	5							Z	
(A=DXXX)												
22	2	24321-000750	O-RING 1A G-75.0	1	1	1						
23	2	24321-000950	O-RING 1A G-95.0	2	2	2						
24	2	24341-000125	O-RING 1A S-12.5	1	1	1						
25	2	26116-060202	BOLT M 6X 20	4								
25-1	2	26016-060202	BOLT M 6X 20	4	4	4					R	
(A=DXXX)												
25-2	2	26116-060202	BOLT M 6X 20	4	4	4					Q	
(A=*1992.12) (B=*1992.12) (C=*1992.12)												
26	2	26116-060202	BOLT M 6X 20	5								
26-1	2	26016-060202	BOLT M 6X 20	5	5	5					R	
(A=DXXX)												
26-2	2	26116-060202	BOLT M 6X 20	5	5	5					Q	
(A=*1992.12) (B=*1992.12) (C=*1992.12)												
27	2	196311-04380	COLLER SET, GEAR	1	1							
28	2	196313-04150	COLLAR SET						1			
29	2	196312-04400	NUT	1	1							
29-1	2	196312-04401	NUT	1	1	1					R	
(A=*1986.01) (B=*1986.01)												
30	2	196311-04450	SLEEVE	1	1	1						
31	2	196420-04451	SHAFT, DRIVE	1	1							
32	2	196311-04470	BEARING D20/47 W21	1	1							
32-1	2	24512-052044	BALL BEARING	1	1						R	
(A=*1984.03) (B=*1984.03)												
33	2	196313-04470	BEARING						1			
34	2	196312-04480	NEEDLE BERG.#RNA6928	1	1							
35	2	196320-04760	NEEDLE BEARING						1			
36	2	196311-04490	WASHER	1	1	1						
37	2	22252-000160	CIRCLIP 16	1	1	1						

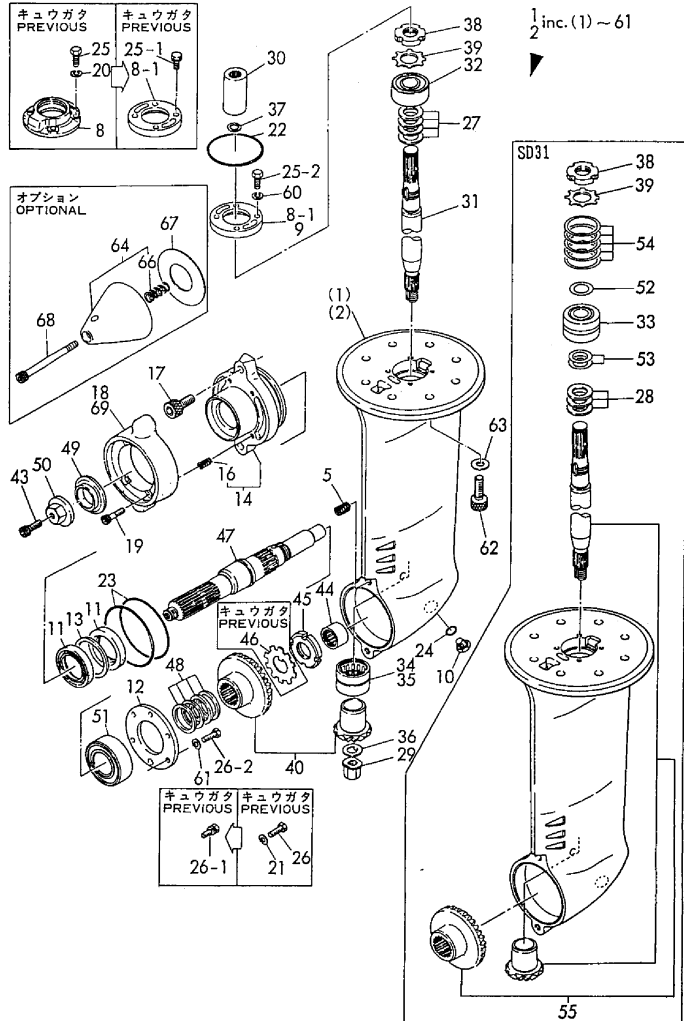
++ CONTINUE ++

Fig.4.LOWER GEAR HOUSING

(A)=SD20 (D)=  
 (B)=SD30 (E)=  
 (C)=SD31 (F)=

Fig.4 ロウギヤケース LOWER GEAR HOUSING

SPEC. CODE  
 D96431-04170 D96420-02121  
 D96420-04330 D96431-02120  
 D96420-04231 D96420-02440  
 D96420-09200 D96420-04171



REF.	LEV.	PARTS NO.	DESCRIPTION	QTY						I	R
				(A)	(B)	(C)	(D)	(E)	(F)		
38	2	24211-020002	LOCK NUT M20	1	1	1					
39	2	24231-020000	WASHER 20	1	1	1					
40	2	196420-04850	GEAR	1	1						
43	2	196420-09260	BOLT M8X25	1	1	1					
44	2	196311-04060	NEEDLE BERG. #NA5903	1	1	1					
45	2	196312-04410	NUT	1							
45-1	2	196313-04500	NUT	1	1	1					N
		(A=DXXX)									
46	2	196312-04420	WASHER	1							Z
		(A=DXXX)									
47	2	196420-04511	SHAFT, PROPELLER	1							
47-1	2	196420-04512	SHAFT, PROPELLER	1	1	1					N
		(A=DXXX)									
48	2	196311-04530	COLLER SET, GEAR	1	1	1					
49	2	196420-09250	SPACER	1	1	1					
50	2	196420-09300	NUT, PROPELLER	1	1	1					
51	2	24512-053064	BALL BEARING	1	1	1					
52	2	196313-04180	COLLAR (T=3.2)				1				
53	2	196313-04350	SHIM SET				1				
54	2	196313-04400	SHIM SET				1				
55	2	196431-04850	GEAR(LOWER SET)				1				
60	2	22282-060000	WASHER 6	4	4	4					W
		(A=*1992.12) (B=*1992.12) (C=*1992.12)									
61	2	22282-060000	WASHER 6	5	5	5					W
		(A=*1992.12) (B=*1992.12) (C=*1992.12)									
62	1	196420-02630	BOLT M10X25	8							
62-1	1	26453-100252	BOLT 10X25	8	8	8					R
		(A=DXXX)									
63	1	22113-100000	WASHER 10	8	8	8					
64	1	196420-09200	NUT ASSY, PROPELLER	1	1	1					2
66	2	26273-160201	INSERT 16X20	1	1	1					2
67	1	196420-09220	WASHER, PROPELLER	1	1	1					2
68	1	26453-080752	BOLT M 8X 75	1	1	1					2
69	1	196420-02640	ZINC, ANTICORROSIVE	1	1	1					W 2
		(A=*1992.06) (B=*1992.06) (C=*1992.06)									

Remarks  
 1)INTERCHANGEABLE BY SIMULTANEOUS REPLACEMENT WITH FIG2-REF NO.6 AND REF NO.7.  
 2)OPTIONAL

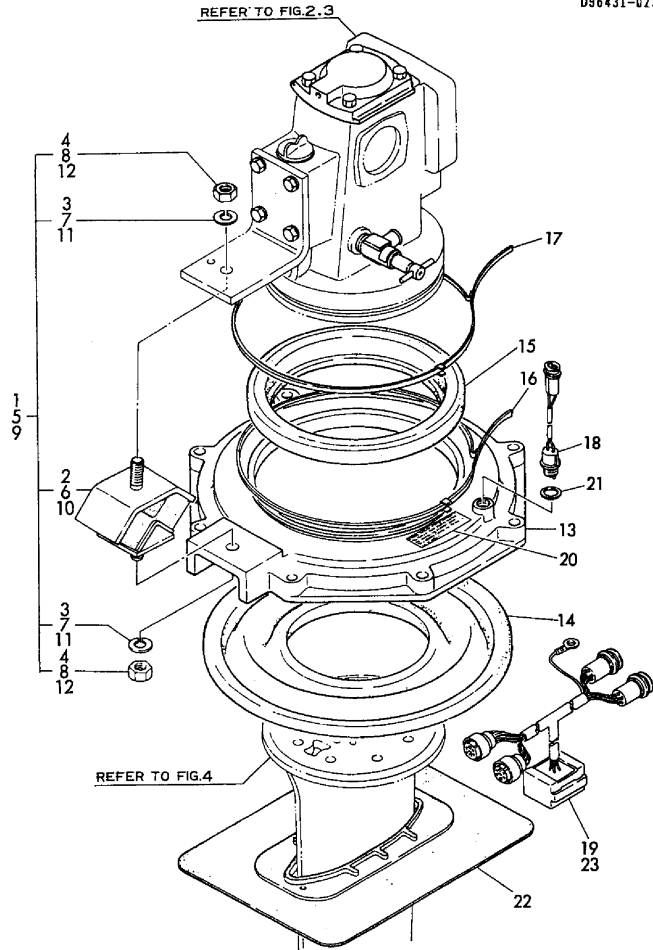


Fig.5.RUBBER MOUNT & SEAL FLANGE

(A)=SD20 (D)=  
 (B)=SD30 (E)=  
 (C)=SD31 (F)=

Fig. 5 ボウシンゴム&シールフランジ  
 RUBBER MOUNT&SEAL FLANGE

SPEC. CODE  
 D96420-02203  
 D96420-02213  
 D96420-02223  
 D96420-02261  
 D96420-02350  
 D96431-02350



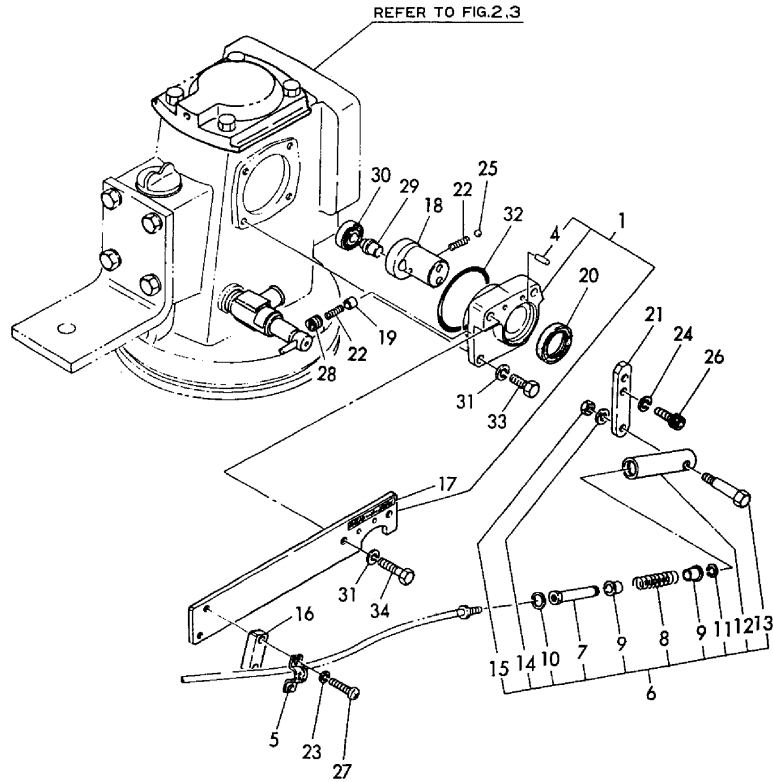
REF.	LEV.	PARTS NO.	DESCRIPTION	QTY						I	R
				(A)	(B)	(C)	(D)	(E)	(F)		
1	1	796420-08610	ABSORBER ASSY, SHOCK	1							1
2	2	121575-08340	ABSORBER	1							
3	2	22217-120000	WASHER 12,SPRING	2							
4	2	26716-120002	NUT M12	2							
4-1	2	26706-120002	NUT M12	2							R
(A=*1992.11)											
5	1	796420-08620	ABSORBER ASSY, SHOCK	1							2
6	2	129795-08340	ABSORBER	1							
7	2	22217-120000	WASHER 12,SPRING	2							
8	2	26716-120002	NUT M12	2							
8-1	2	26706-120002	NUT M12	2							R
(A=*1992.11)											
9	1	796420-08630	ABSORBER ASSY, SHOCK	1	1	1					3
10	2	196420-02310	ABSORBER, SHOCK	1	1	1					
11	2	22217-120000	WASHER 12,SPRING	2	2	2					
12	2	26716-120002	NUT M12	2	2	2					
12-1	2	26706-120002	NUT M12	2	2	2					R
(A=*1992.11) (B=*1992.11) (C=*1992.11)											
13	1	196420-02700	SEAL FLANGE	1	1	1					
14	1	196420-02710	DIAPHRAGM (A)	1	1	1					
15	1	196420-02720	DIAPHRAGM (B)	1	1	1					
16	1	196420-02730	BAND 199	1	1	1					
17	1	196420-02740	BAND 235	1	1	1					
18	1	196420-02801	SEAL SENSOR	1	1	1					
19	1	196420-02811	AMPLIFIER	1	1						
20	1	196420-02820	LABEL	1	1	1					
21	1	23418-140000	PACKING 14	1	1	1					
22	1	196420-02550	RUBBER, PROTECTION	1	1	1					
23	1	196431-02810	AMPLIFIER								1

Remarks  
 1)FOR 1GM  
 2)FOR 2GM  
 3)FOR 3GM(ONLY SD20)

Fig.6.SHIFT LEVER(PREVIOUS)

(A)=SD20 (D)=  
 (B)=SD30 (E)=  
 (C)=SD31 (F)=

Fig.6 シフトレバー (キュウガタ)  
 SHIFT LEVER (PREVIOUS)



REF.	LEV.	PARTS NO.	DESCRIPTION	QTY						I	R
				(A)	(B)	(C)	(D)	(E)	(F)		
1	1	196420-06050	SUPPORT ASSY, SHIFT	1	1						
4	2	22312-040080	PIN 4X8,STRAIGHT	2	2						
5	1	196420-06080	CLAMP	1	1						
6	1	177088-06090	CONNECTOR ASSY	1							
6-1	1	196430-06600	SPRING JOINT ASSY	1	1						N
(A=DXXX)											
7	2	177088-06120	CONNECTOR	1	1						
8	2	177088-06170	SPRING, SHIFT	1							
8-1	2	196430-06610	SPRING	1	1						N
(A=DXXX)											
9	2	177088-06140	RETAINER, SPRING	2	2						
10	2	177088-06150	CIRCLIP	1	1						
11	2	177088-06160	CIRCLIP	1	1						
12	2	177088-06110	HOLDER	1	1						
13	2	177088-06100	CONNECTOR, HOLDER	1	1						
14	2	22117-060000	WASHER 6	2	2						
15	2	26756-060002	LOCK NUT M 6 PLATED	1	1						
16	1	196420-06090	WASHER	1	1						
17	1	196420-06100	LABEL,LEVER POSITION	1	1						
18	1	196420-06110	SHAFT, CONTROL	1	1						
19	1	196420-06120	PIN	1	1						
20	1	196420-06140	SEAL TC253506, OIL	1	1						
21	1	196420-06200	LEVER, SHIFT	1	1						
22	1	189060-26760	SPRING	2	2						
23	1	22287-050000	WASHER 5	2	2						
24	1	22287-060000	WASHER 6	2	2						
25	1	24190-080001	BALL 1/4, STEEL	1	1						
26	1	26450-060142	BOLT M 6X 14	2							
26-1	1	26450-060162	BOLT M 6X 16	2	2						Q
(A=DXXX)											
27	1	26557-050162	SCREW M 5X 16	2	2						
28	1	26911-100102	SCREW M10X10	1	1						
29	1	196420-06161	SHAFT, BEARING	1	1						
30	1	196420-06170	BEARING 609	1	1						
31	1	22287-060000	WASHER 6	2	2						
32	1	24321-000550	O-RING 1A G-55.0	1	1						
33	1	26116-060202	BOLT M 6X 20	2							
33-1	1	26016-060202	BOLT M 6X 20	2	2						R
(A=DXXX)											
34	1	26116-060352	BOLT M 6X 35 PLATED	2	2						

Fig.7.SHIFT LEVER(NEW)

(A)=SD20 (D)=  
 (B)=SD30 (E)=  
 (C)=SD31 (F)=

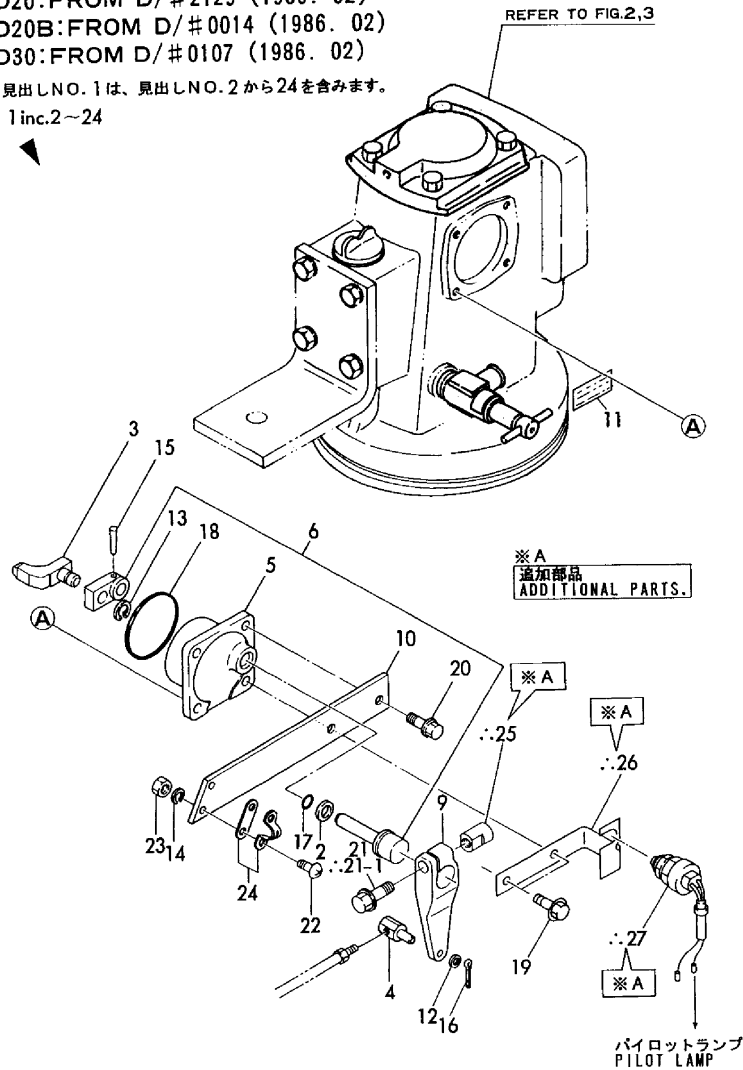
発行No. 000Y00F4021-1  
 更新年月: 1994. 9  
 REVISED: Sep., 1994

SPEC. CODE  
 D96420-06261  
 D96420-06270

Fig.7 シフトレバー (シンガタ)  
 SHIFT LEVER (NEW)

SD20: FROM D/# 2129 (1986. 02)  
 SD20B: FROM D/# 0014 (1986. 02)  
 SD30: FROM D/# 0107 (1986. 02)

見出しNO. 1は、見出しNO. 2から24を含みます。  
 1 inc.2~24



REF.	LEV.	PARTS NO.	DESCRIPTION	QTY						I	R
				(A)	(B)	(C)	(D)	(E)	(F)		
1	1	796420-06261	SHIFT LEVER ASSY.	1	1	1					
2	2	196311-03300	WASHER	1	1	1					
3	2	196311-06080	SHIFTER	1	1	1					
4	2	177073-06200	PIVOT	1	1	1					
5	2	196420-06250	SUPPORT	1	1	1					
6	2	196420-06260	SHAFT ASSY. SHIFT	1	1	1					
9	2	196420-06280	LEVER, SHIFT	1	1	1					
10	2	196420-06290	BRACKET	1	1	1					
11	2	196420-06300	LABEL	1	1	1					
12	2	22137-060000	WASHER 6, POLISHED	1	1	1					
13	2	22242-000100	CIRCLIP 10	1	1	1					
14	2	22287-050000	WASHER 5	2	2	2					
15	2	22301-040250	TAPER PIN 4X25	1	1	1					
16	2	22417-160120	COTTER PIN 1.6X12	1	1	1					
17	2	24311-000100	O-RING 1A P-10.0	1	1	1					
18	2	24321-000550	O-RING 1A G-55.0	1	1	1					
19	2	26106-060182	BOLT M 6X 18 PLATED	2	2	2					
20	2	26106-060222	BOLT M 6X 22 PLATED	2	2	2					
21	2	26106-080252	BOLT M 8X 25 PLATED	1	1	1					
21-1	2	26106-080302	BOLT M 8X 30 PLATED	1	1	1					N
		(A=*1994.04)	(B=*1994.04)	(C=*1994.04)							
22	2	26557-050162	SCREW M 5X 16	2	2	2					
23	2	26716-050002	NUT M 5	2	2	2					
24	2	41710-000410	CLAMP	1	1	1					
25	1	196420-06400	SETTING, SAFETY SWIT.	1	1	1					W
		(A=*1994.04)	(B=*1994.04)	(C=*1994.04)							
26	1	196420-06410		1	1	1					W
		(A=*1994.04)	(B=*1994.04)	(C=*1994.04)							
27	1	120270-77101	SWITCH	1	1	1					W
		(A=*1994.04)	(B=*1994.04)	(C=*1994.04)							

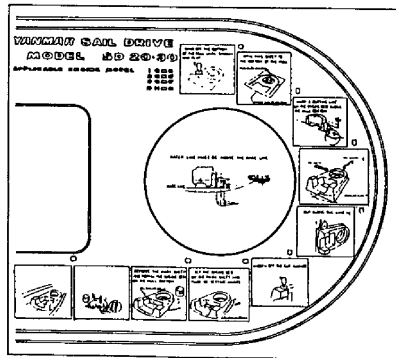
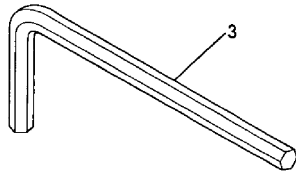
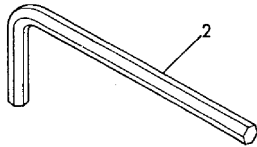
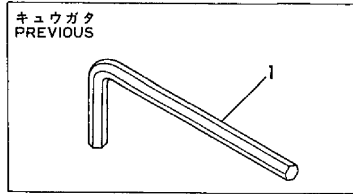
△印が今回変更(追加)した箇所です。  
 △ MARKED PART HAS BEEN CHANGED (ADDED).

Fig.8.TOOL

(A)=SD20 (D)=  
 (B)=SD30 (E)=  
 (C)=SD31 (F)=

Fig. 8 コウグ  
 TOOL

SPEC. CODE  
 D96420-92012



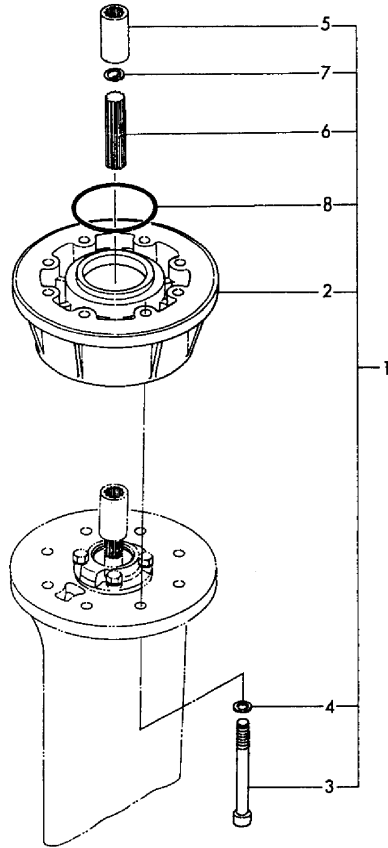
REF.	LEV.	PARTS NO.	DESCRIPTION	QTY						I	R
				(A)	(B)	(C)	(D)	(E)	(F)		
1	1	28150-050000 (A=DXXX) (B=DXXX)	BAR WRENCH	1	1						Z
2	1	28150-060000	BAR WRENCH 6	1	1	1					
3	1	28150-080000	BAR WRENCH 8	1	1	1					
4	1	196420-92010 (A=DXXX) (B=DXXX)	MARK SHEET	1	1	1					W

Fig.9.EXTENSION 80(OPTIONAL)

(A)=SD20 (D)=  
 (B)=SD30 (E)=  
 (C)=SD31 (F)=

Fig. 9 エクステンション 80 (オプション)  
 EXTENSION 80 (OPTIONAL)

SPEC. CODE  
 096420-02400



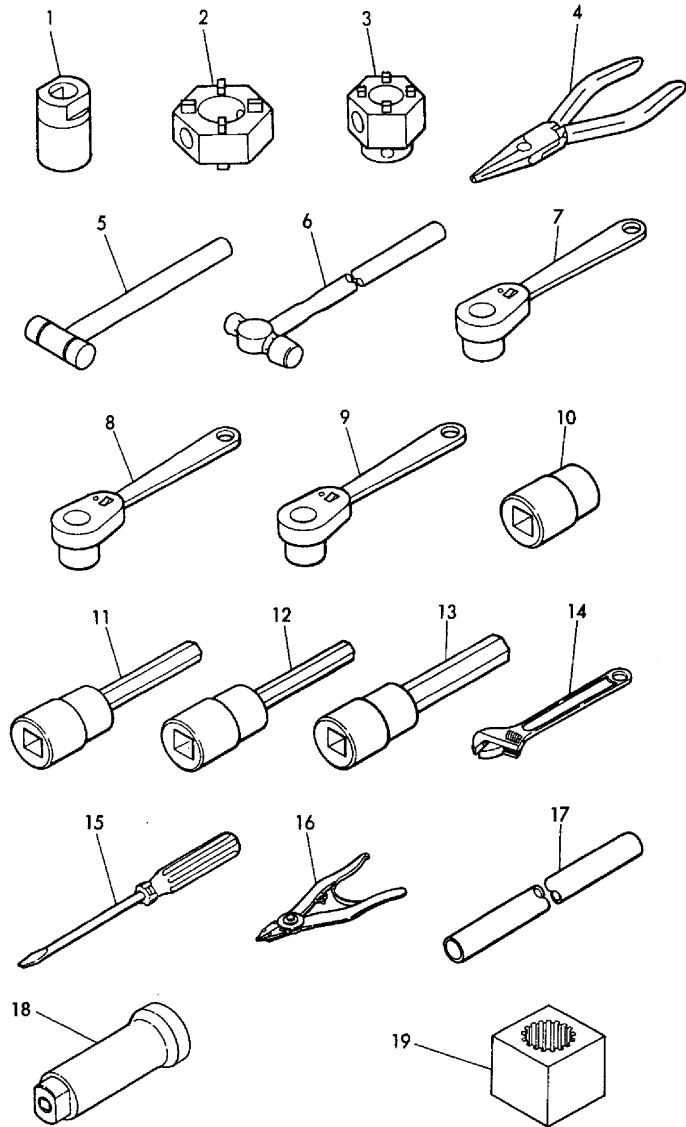
REF.	LEV.	PARTS NO.	DESCRIPTION	QTY						I	R
				(A)	(B)	(C)	(D)	(E)	(F)		
1	1	796420-02400	EXTENSION (80) ASSY	1	1	1					
2	2	196420-02850	EXTENSION 80	1	1	1					
3	2	196420-02860	BOLT M10X105	8	8	8					
4	2	22113-100000	WASHER 10	8	8	8					
5	2	196311-04450	SLEEVE	1	1	1					
6	2	196420-04400	SHAFT, SPLINE	1	1	1					
7	2	22252-000160	CIRCLIP 16	1	1	1					
8	2	24321-000750	O-RING 1A G-75.0	2	2	2					

(A)=SD20 (D)=  
 (B)=SD30 (E)=  
 (C)=SD31 (F)=

Fig.10.SPECIAL TOOL(A)(OPTIONAL)

SPEC. CODE  
 D96420-92160

Fig. 10 トクシュコウグ (A) (オプション)  
 SPECIAL TOOL (A) (OPTIONAL)



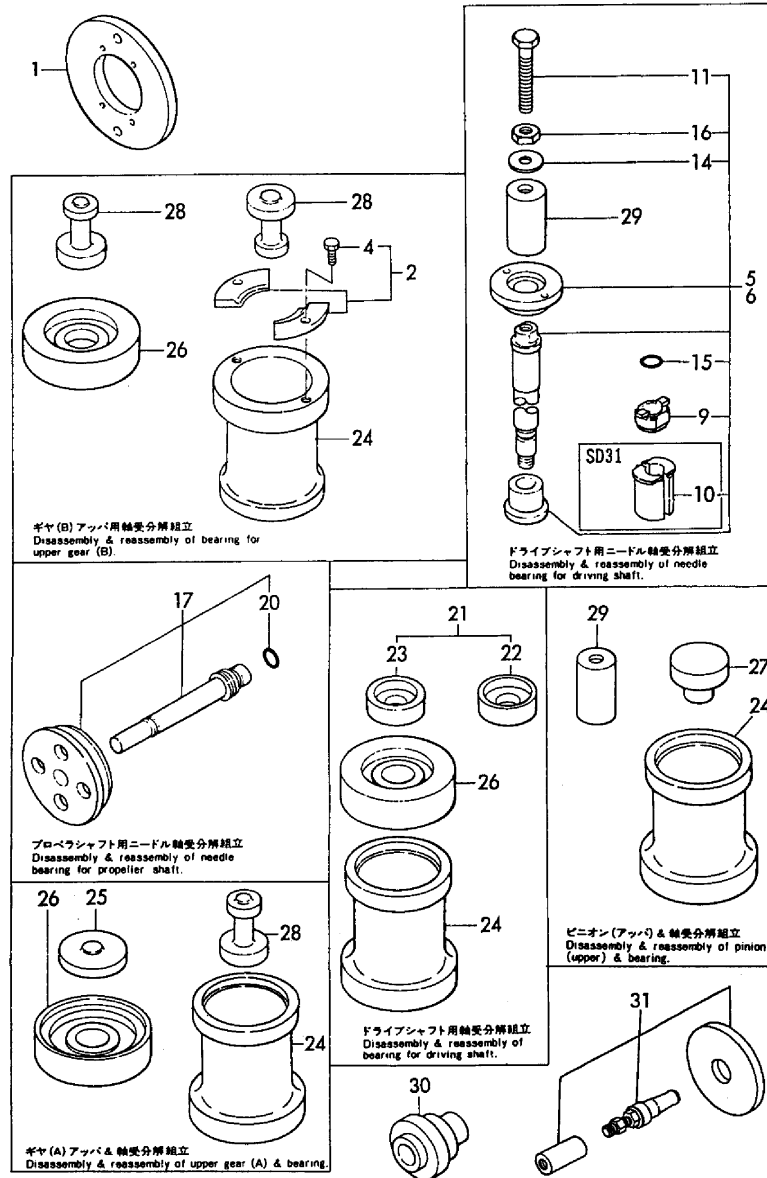
REF.	LEV.	PARTS NO.	DESCRIPTION	QTY						I	R
				(A)	(B)	(C)	(D)	(E)	(F)		
1	1	196311-92010	SOCKET	1	1	1					
2	1	196311-92020	REPLACER, BERG..NUT	1	1	1					
3	1	196311-92030	SOCKET	1	1	1					
4	1	196311-92300	WRENCH, RADIO	1	1	1					
5	1	196311-92320	HAMMER, PLASTIC	1	1	1					
6	1	196311-92330	HAMMER, 1 POUND	1	1	1					
7	1	196311-92350	WRENCH, TORQUE	1	1	1					
8	1	196311-92360	WRENCH, TORQUE	1	1	1					
9	1	196311-92370	WRENCH, TORQUE	1	1	1					
10	1	196311-92400	SOCKET	1	1	1					
11	1	196311-92420	SOCKET, HEX. BAR	1	1	1					
12	1	196420-92430	SOCKET 5	1	1	1					
13	1	196420-92440	SOCKET 8	1	1	1					
14	1	28120-002000	WRENCH 200,ADJUSTABL	1	1	1					
15	1	28130-081500	DRIVER, REVERSIBLE	1	1	1					
16	1	28190-000020	PLIERS,CIRCLIP	1	1	1					
17	1	28230-120200	HANDLE, TURN	2	2	2					
18	1	196320-92100	TOOL 30N	1	1	1					W
		(A=DXXX) (B=DXXX) (C=DXXX)									
19	1	196320-92130	SOCKET	1	1	1					W
		(A=DXXX) (B=DXXX) (C=DXXX)									

Fig.11.SPECIAL TOOL(B)(OPTIONAL)

(A)=SD20 (D)=  
 (B)=SD30 (E)=  
 (C)=SD31 (F)=

Fig. 11 トクシュコウグ (B) (オプション)  
 SPECIAL TOOL (B) (OPTIONAL)

SPEC. CODE  
 D96420-92170  
 D96431-92170



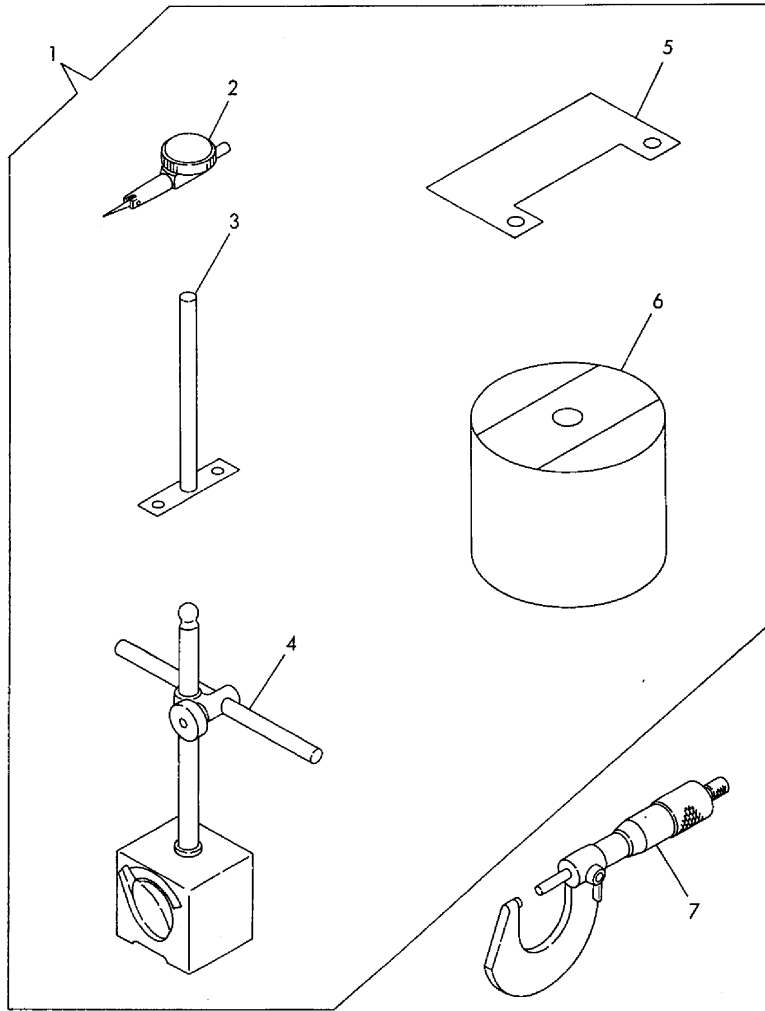
REF.	LEV.	PARTS NO.	DESCRIPTION	QTY						I	R
				(A)	(B)	(C)	(D)	(E)	(F)		
1	1	196420-92040	TOOL	1	1	1					
2	1	196420-92140	TOOL	1	1	1					
4	2	26116-080162	BOLT M 8X 16 PLATED	2	2	2					
5	1	196420-92150	TOOL	1	1						
6	1	196431-92150	TOOL ASSY					1			
9	2	196420-92680	REPLACER 32X45	1	1						
10	2	196431-92680	REPLACER (40X44)						1		
11	2	196320-92700	BOLT M12X 85	1	1	1					
14	2	22131-120000	WASHER 12	1	1	1					
15	2	24311-000160	O-RING 1A P-16.0	1	1						
16	2	26711-120002	NUT M12	1	1	1					
17	1	196420-92160	TOOL	1	1	1					
20	2	24311-000180	O-RING 1A P-18.0	1	1	1					
21	1	196420-92170	TOOL	1	1	1					
22	2	196311-92580	RING, BUILD-UP	1	1	1					
23	2	196311-92590	RING, BUILD-UP	1	1	1					
24	1	196420-92510	BRACKET	1	1	1					
25	1	196420-92550	REPLACER 35X70	1	1	1					
26	1	196420-92560	REPLACER	1	1	1					
27	1	196311-92600	REMOVER	1	1	1					
28	1	196311-92690	REPLACER 32X52	1	1	1					
29	1	196420-92690	REPLACER 30X36	1	1	1					
30	1	196420-92860	REPLACER (35X40)	1	1	1					
31	1	196313-92660	TOOL	1	1						W

(A)=\*1992.12) (B)=\*1992.12)

Fig.12.MEASUREMENT TOOL(OPTIONAL)

Fig. **12** ケイソウコウグ (オプション)  
MEASUREMENT TOOL (OPTIONAL)

SPEC. CODE  
D96420-92220



Y00F4021 12.MEASUREMENT TOOL(OPTIONAL)

(A)=SD20 (D)=  
(B)=SD30 (E)=  
(C)=SD31 (F)=

REF.	LEV.	PARTS NO.	DESCRIPTION	QTY						I	R	
				(A)	(B)	(C)	(D)	(E)	(F)			
1	1	196420-92220	TOOL	1	1	1						
2	2	196311-92230	TOOL	1	1	1						
3	2	196420-92240	BRACKET	1	1	1						
4	2	196420-92250	TOOL	1	1	1						
5	2	196420-92260	BRACKET	1	1	1						
6	2	196420-92270	RETAINER	1	1	1						
7	1	196311-92460	MICRO MATOR, 25BM	1	1	1						