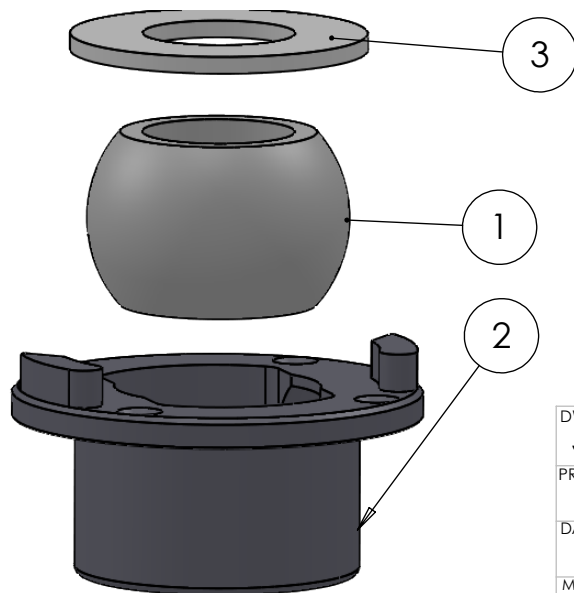
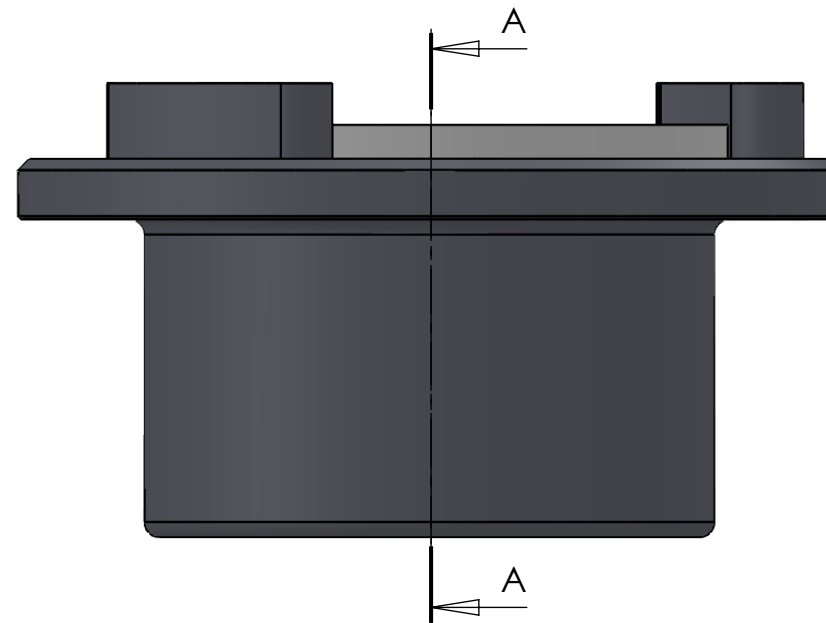


SECTION A-A  
SCALE 1 : 1



ITEM NO.	PART NUMBER	PART NAME	Default/ QTY.
1	M13-112-40	Ball with rollers for 5T040	1
2	M51-090	House for 5T035STP-5T040STP	1
3	M07-107	Washer, delrin $\varnothing 40,5 \times \varnothing 79 \times 4,5\text{mm}$	1

DWG NR / NAME:

**5T040STP / S-A top Roller bearing w stop  $\varnothing 40\text{mm}$**

BATCH NR:

PROJECT:

Shaft  $\varnothing 40\text{mm}$ , max working load 1320 kg

REKV.NR / ORDRE NR:

DATE:

08-12-2010

NAME:

JR

SCALE / PAPER:

1:2 / A4

MATERIAL:

WEIGHT: g

LOCATION:

REV:

ORDRE DATO:

LEV.DATO:

MODIFY DATE:

: /

*Jefa Rudder*  
SYSTEMS

JEFA MARINE A/S  
NIMBUSVEJ 2  
2670 GREVE. DENMARK

Tlf: +45 4615 5210 & Fax: +45 46155208  
Email: info@jefa.com www.jefa.com