

Technical Manual

AP GPS Navigators MK8/MK9/MK9DC

- Installation
- Interface
- Trouble Shooting
- Maintenance
- Technical data
- International Service
- Special Features
- Waypoint Lists

Leica Geosystems A/S
AP Navigation Business Unit
February 1998 3508 101 87993

The Leica logo is written in a stylized, cursive script font with a horizontal line underneath the letters.

Specifications may be changed without prior notice.

Please note

The prudent mariner will never rely solely on any single means of navigation. **He** will always use whatever information available.

The Global Positioning System (GPS) is developed and operated by the United States Department of Defense (DOD).

Only part of the **system** is available *for* civil applications. The expected position accuracy is better than 100 meters for 95 percent of the time; but may be up to 300 meters occasionally. The derived speed and course readings may be hampered accordingly.

The availability and precision will be kept within the stated limits as far as the military and political situation allows.

Differential GPS (DGPS)

The MK8 and MK9 are prepared for direct connection to a DGPS Beacon Receiver (Philips PBR 1000). The MK8 will for this purpose need a DGPS software upgrade and a new interface cable allowing data input. The position accuracy is hereby improved to better than 5 meters for 95% of the time subject to availability of **DGPS** transmissions from public Radio Beacons.

Please note that a position obtained from a chart is not always as accurate as your navigator, and that the position of a floating aid can differ due to tide and set and drift. In addition the DGPS system may be hampered by weather conditions such as heavy rain, snow or thunder storms.

Contents

Installation	page 4
interface to Other Equipment	page 8
NMEA Hardware Schematics	page 10
NMEA Sentences	page 12
Trouble Shooting Guide	page 19
Navigator Self-test	page 20
Signal Quality Control	page 23
Maintenance	page 25
Software Update	page 27
Technical Data	page 28
International Service, Main Distributors	page 32
Glossary of Terms	page 34
About GPS	page 38
Position Store Feature	page 39
Alarm Acknowledge Feature	page 39
Fast Access to Waypoints	page 40
Contrast and Back Light Setting	page 41
Waypoint Pass Criteria	page 42
Waypoint Lists	page 43

Installation

The MK8 & MK9 Navigators are designed for installation both above and below deck. The unit is fully splash proof but not watertight. The installation should in the first instance meet the requirements of the helmsman or the crew, but secondarily the site should be a smooth and flat nearly vertical surface to insure that the gasket around the holes for connection plugs and fixing screws are waterproof. Please ensure that the navigator is mounted in a place where water easily flows off. Never install it in a place where the navigator will be below water for any period of time. Two installation accessories are optionally available: A Flush Mounting Kit and a Mounting Bracket (please see the chapter containing technical data page 27).

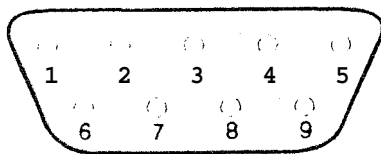
Backup Battery

Insert the battery cell in the battery compartment on the back of the navigator. Please refer to the instruction on page 21.

Connectors

The navigator has two connectors. **A** D-SUB (A) for power and data and a F-connector (**B**) for the antenna *signal*:

A. 9 pin D-SUB (male)



9POL D SUB

Pin No.

- | | |
|--------|---|
| 1 | REF GND. Reference for MOB signal. Connected to navigator shield. |
| 2 | NMEA listener A (input). |
| 3 | NMEA talker A (output). |
| 4 | MOB (Man Over Board) signal. |
| 5 | battery. External power. |
| 6 | Programming voltage.
For service use only. |
| 7 | NMEA listener B (input). |
| 8 | NMEA talker B (output). |
| 9 | + battery. External power. |
| Screen | Shield of NMEA talker cable. |

B. F (RUG59) connector. RF signal from antenna.
Stripping information:

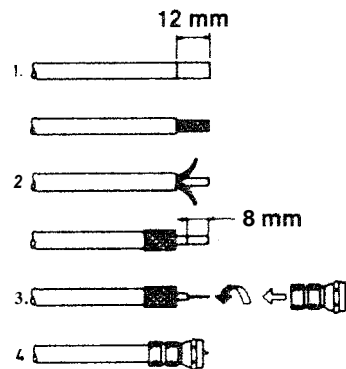


Figure 1

6208 221 02440

1. Strip the antenna cable.
2. Fold **back** the shield.
3. Screw the F connector on.
4. The center conductor **should** peep out 2 to 3 mm from the connector nut.

A typical installation is shown on the next page figure 2.

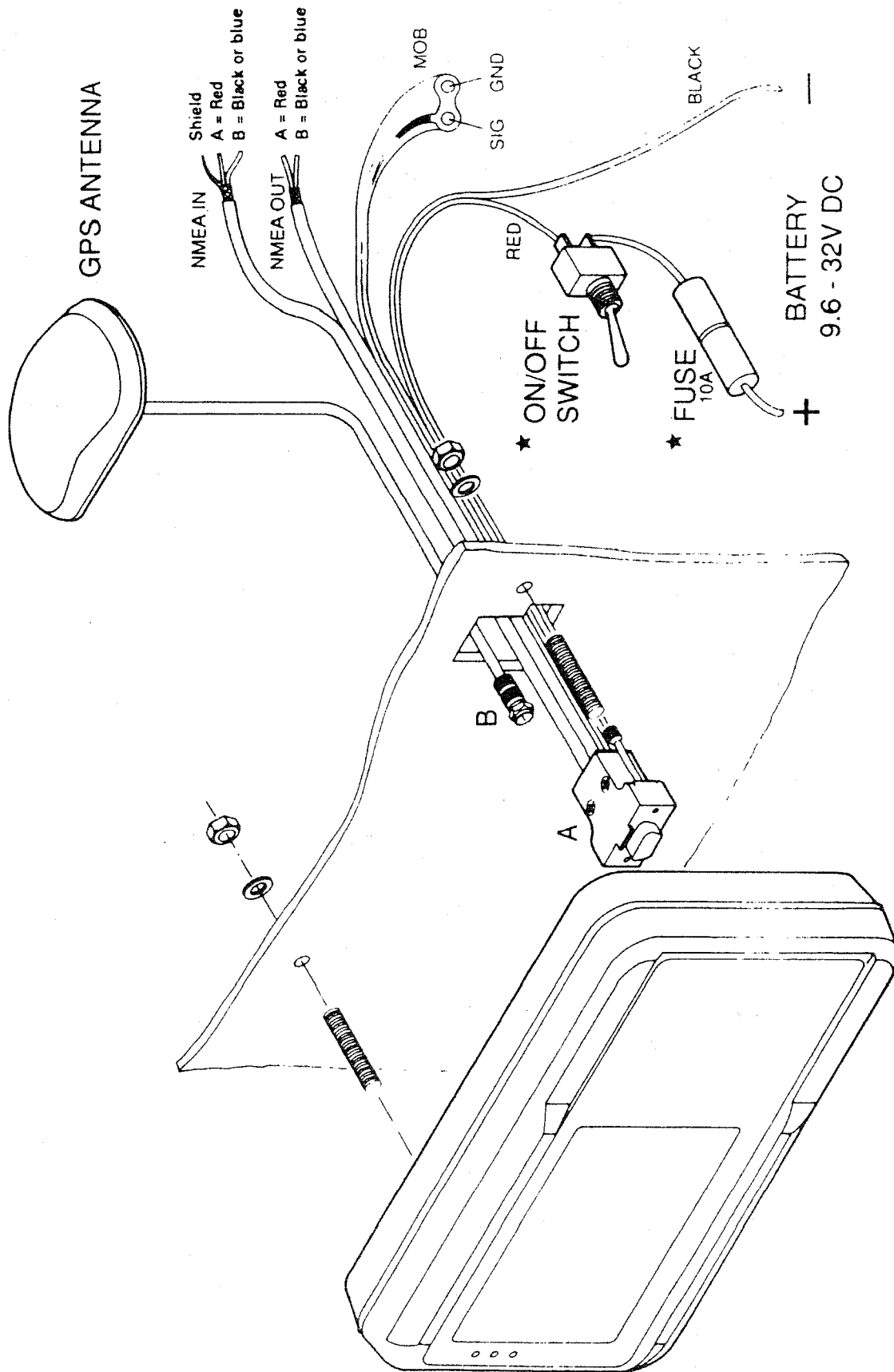


Figure 2.

*) Power switch and fuse are not included in the installation kit. The fuse can be any value from 1.25 Amp to 10 Amp.
 The NMEA IN and MOB cables are not included in the MK8 standard package.

Drilling Instruction.

A template is included in the installation kit. Place the 'Drilling Template for MK8 & MK9' where you want your unit installed. Be sure that you have access to back side for tightening the nuts.

Recommended tools for installation.

Tools:

- * Adjustable spanner
- * Drill 13mm
- * Drill 9mm
- * Drill 7mm
- * Electric power drill
- * Hand file

Use:

To tighten the nuts.

Hole for antenna mounting.

Holes for D-SUB connector.

Holes for mounting stays.

To smooth the hole for the 5-SUB connector

External Power.

The navigator is designed for 12V or 24V battery supply, but the unit will work with any DC voltage from 9.6V to 32V.

The installation kit includes a 9 socket D-SUB connector mounted with all the necessary cabling. The Power Cable is a joint RED and BLACK pair:

BLACK wire (D-SUB socket 5) should be connected to the minus pole of the battery.

RE5 wire (D-SUB socket 9) should be connected to the plus pole of the battery.

Please be sure to have a fuse in the circuit - not to protect the navigator - but to protect the cabling. (Short-circuiting a cable with direct connection to a battery will make severe damage). A typical installation is shown in figure 2 page 5.

Navigator grounding.

The electronics of the navigator *is* isolated from the external power supply. It is recommended to ground the shield of the navigator to avoid static charge built up. This can be done in one of two ways:

- 1) Connect the D-SUB 'GND' pin 1 of the navigator to boat's seawater ground.
- 2) Connect the antenna mounting (nut etc.) to the boat's seawater ground.

'Seawater ground' is any structure in connection with the sea below the water-line. The connection could be through a 10KOhm resistor.

Antenna mounting and navigator shield is electrically connected through the screen of the antenna cable. To avoid current loops do only use one of the **two** grounding methods. If the antenna **is** mounted on the push pit or similar **metal** structure we recommend using that part for grounding of the navigator (possibly by connecting it to boat's seawater ground).

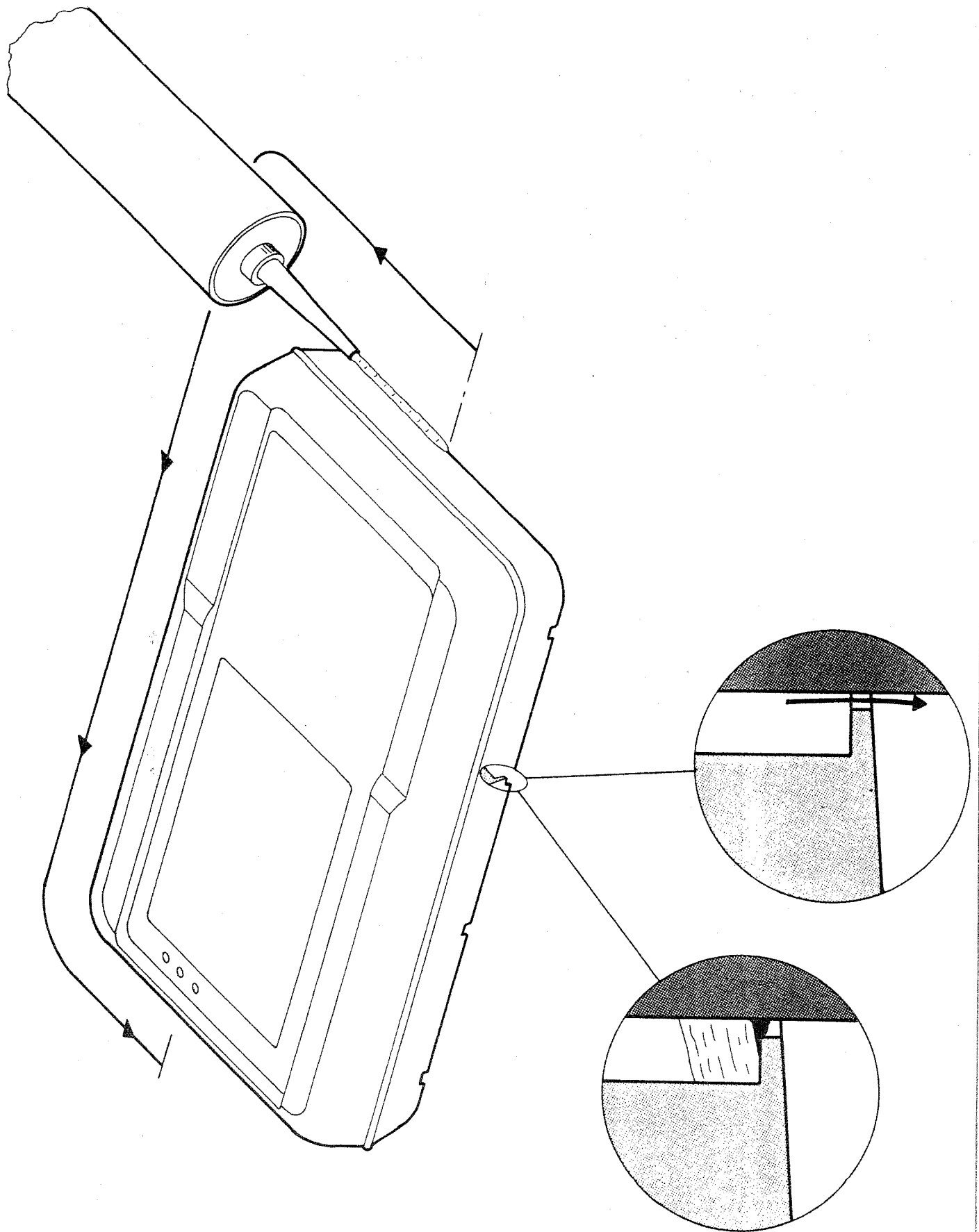


Figure 3. Above deck bulkhead installation.

Interface to other equipment.

The MK8 and MK9 navigators have two independent possible interfaces. A Man Over Board input and an **NMEA 0183** version 2.0 talker/listener interface.

Man Over Board

A push button (or an on/off switch) (optional) can be connected between the Man Over Board input (D-SUB pin 4) and the REF GND (D-SUB pin 1).

The installation kit includes a 9 socket D-SUB connector mounted with all the necessary cabling. The Man Over Board is either a joint BLACK pair with one wire marked with an embossment or a joint GRAY pair with one wire marked with a black stripe.

The pair should be connected to a push button that is normally off (not short-circuited). To enable the Man Over Board function the switch must be activated for at least 2 seconds.

Please be aware, that the unmarked wire of this pair is connected to the shield of the navigator. A typical installation is shown in figure 2 page 5. See also figure 4 below if using the Philips **NMEA 0183 Repeater Display** for the Man Over Board function.

NMEA interface

The standard marine interface **NMEA 0183** version 2.0 is used for communication with other marine equipment like:

Radars, Plotters, Autopilots, Fish Finders etc.
Philips NMEA 0183 Repeater Display
Philips Chart Plotters PCP 207 and PCP 211
Philips DGPS Beacon Receiver PBR 1000
DGPS Beacon Receivers transmitting RTCM SC104 data (4800 baud).

NMEA interface to other equipments

There should be no problem in interfacing to other instruments. Version 2.0 of the **NMEA 0183** interface has been changed in several ways compared to the earlier version 1.5. Some of the changes to the hardware should be mentioned in order to avoid problems.

Listener:

The listener input now works with a threshold of 2 volt compared to the former 4 volt. It is still an isolated input and in general it should not give any problems.

Talker:

The talker output is now a RS422 output. That means:
NMEA talker (output) B is active compared to GND or shield of the navigator. In the old version output B was normally tied to GND or shield.
The maximum drive voltage between **NMEA** talker A and B outputs is ± 6 volt. The minus voltage between the talker A and B output might give some problems on inputs that does not fulfill the old standard
The minimum voltage might be as low as ± 2 volt. This is not compatible with the former 4 volt input threshold.

Cables used for **NMEA** signals are shielded. If extension cables are needed be sure to use shielded cables in order to avoid electromagnetic noise

More than one NMEA listener can be connected in parallel to the NMEA talker. The possible maximum is dependent on the listener input impedance. A typical installation is shown in figure 4.

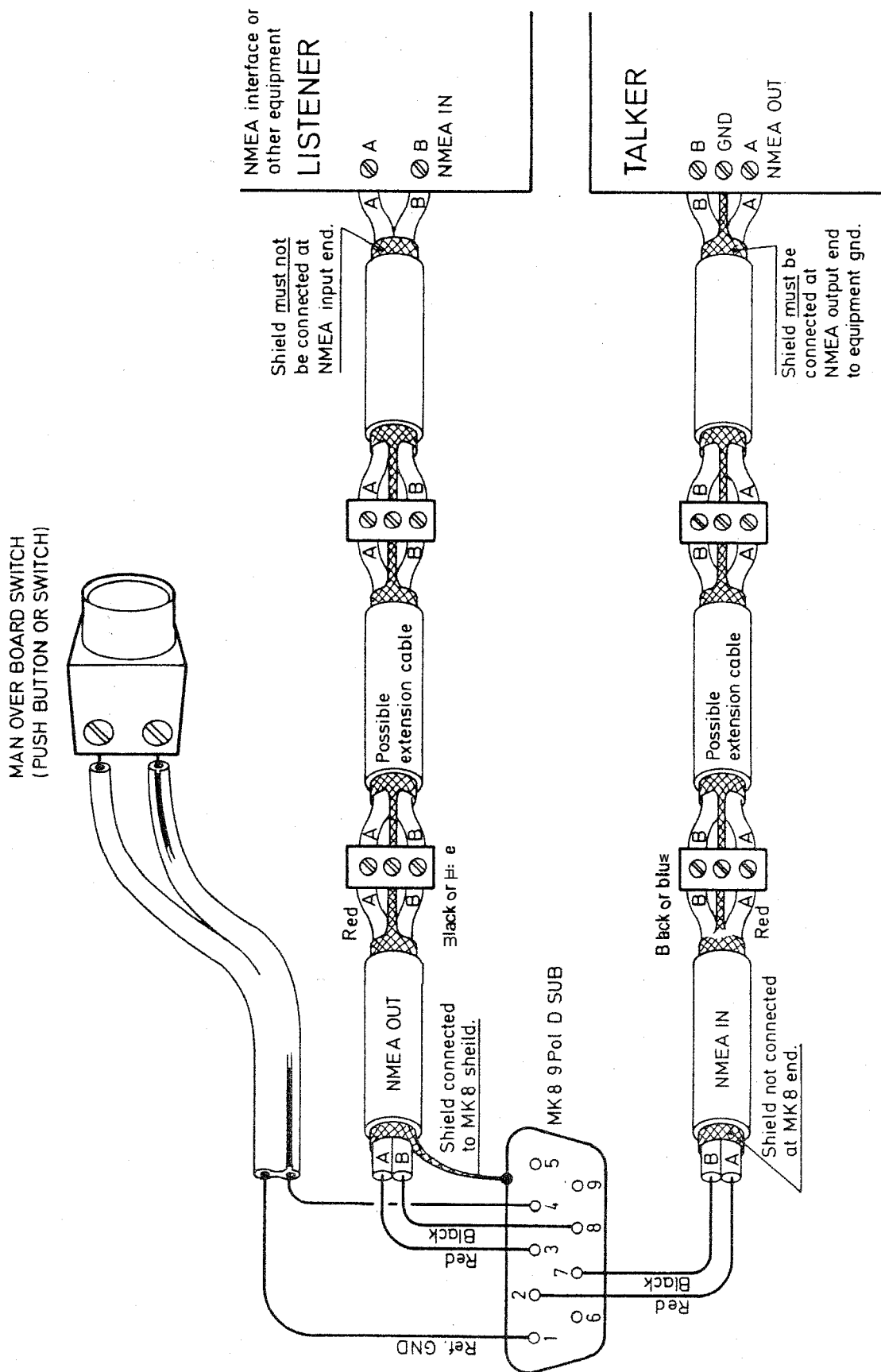


Figure 4. NMEA and MOB installation for the MK9 unit.

Interface to Philips NMEA 0183 Repeater Display.

The Philips NMEA 0183 Repeater Display should be connected to the navigator MK9 as shown in figure 5. (Connections are specified on page 4).

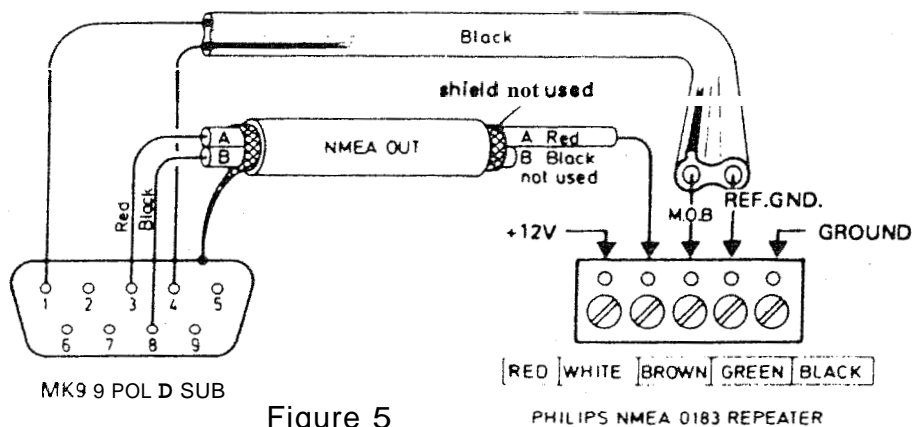


Figure 5

Please note

NMEA talker (output) B should **not** be connected to the Repeater Display but left open.

The shield of the NMEA talker cable is connected to shield of the navigator and should **not** be connected to the Repeater Display.

Be **careful** that neither the **NMEA talker B** wire nor the **shield** of the NMEA talker cable are short-circuited to each other or anything else.

NMEA 0183 version 2.0 hardware schematics.

The **NMEA** version 2.0 standard requires that a schematic showing the implementation of the listener and talker interface are included in the manual.

NMEA listener (input) hardware schematic and recommendations.

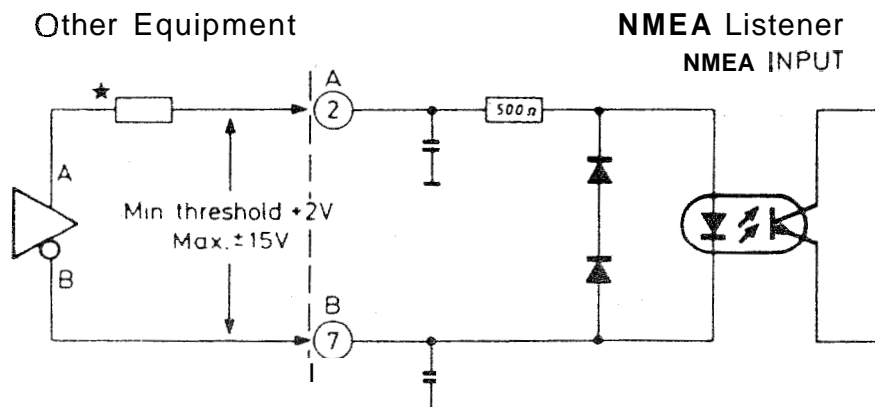


Figure 6 Listener input load 500ohm.

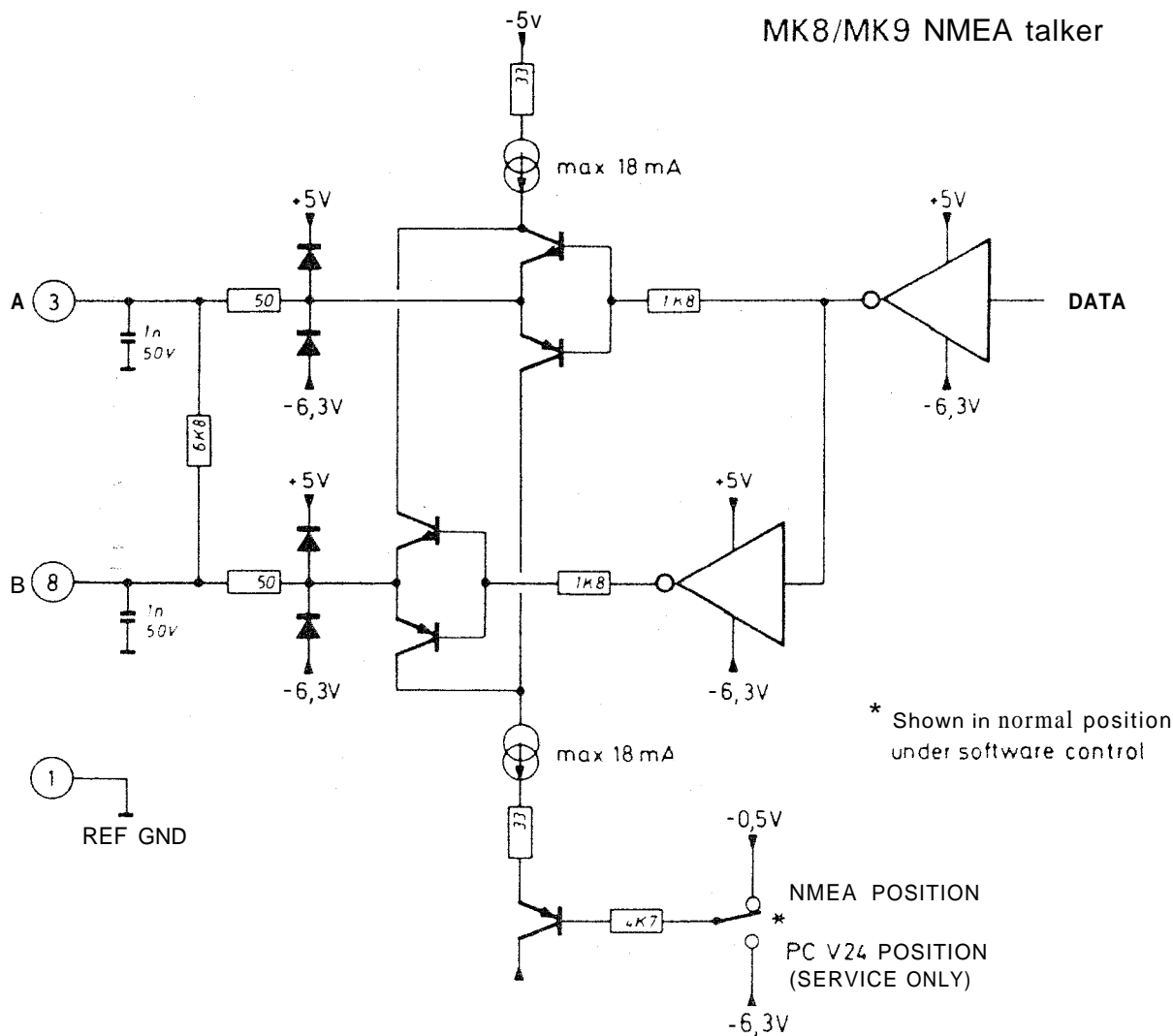
The threshold of the MK8/MK9 NMEA listener is less than 2V. If an external NMEA output with a drive voltage higher than 2 volt is connected to the MK8/MK9 NMEA listener (D-SUB pin 2 and 7), it is recommended to insert a resistor in the line. The value could be up to 500ohm per volt the drive voltage exceeds 2 volt. This will reduce the overall power consumption. See table 1 next page.

The MK8/MK9 NMEA listener (A to B) is rated to withstand ± 15 volt. If no resistor is inserted the NMEA input draws 22 mA at ± 12 volt where only 2 mA is needed for correct functionality.

Recommended external serial resistor value (see figure 6 previous page) for the MK8/MK9 NMEA listener interface. Table 1:

Drive voltage	Resistor value	Drive voltage	Resistor value
3 volt	470 Ohm	8 volt	2.7 KOhm
4 volt	1.0 KOhm	9 volt	3.3 KOhm
5 volt	1.5 KOhm	10 volt	3.9 KOhm
6 volt	1.8 KOhm	11 volt	3.9 KOhm
7 volt	2.2 KOhm	12 volt	4.7 KOhm

NMEA talker (output) hardware schematic and recommendations.



Talker maximum drive current is 18 mA. Figure 6

Important: Both talker A and talker B outputs are active!
 Connected to an NMEA listener: Connect talker A to listener A and talker B to listener B.
 Connected to a RS 422 port: Connect talker A to +receive and talker B to -receive.
 Connected to a RS 232 (PC com port): Connect talker A to Receive Data and REF GND to Signal Ground.

NMEA 0183 sentences Used by MK8 and MK9

The NMEA Standard provides for asynchronous transmission, with a single TALKER and multiple LISTENERS per line. Typical use includes information transfer from electronic positioning and navigational devices to autopilots, plotters, terminals, printers, etc.

The NMEA 0183 Standard uses an 8 bit ASCII **block** oriented protocol, that is not compatible with the NMEA 0780 simple format or the NMEA 0182 complex format due to differences in data format, baud rate and parity bit.

The recommended interconnection between a TALKER and one or more LISTENER(s) must be made as shown and described on the previous 4 pages.

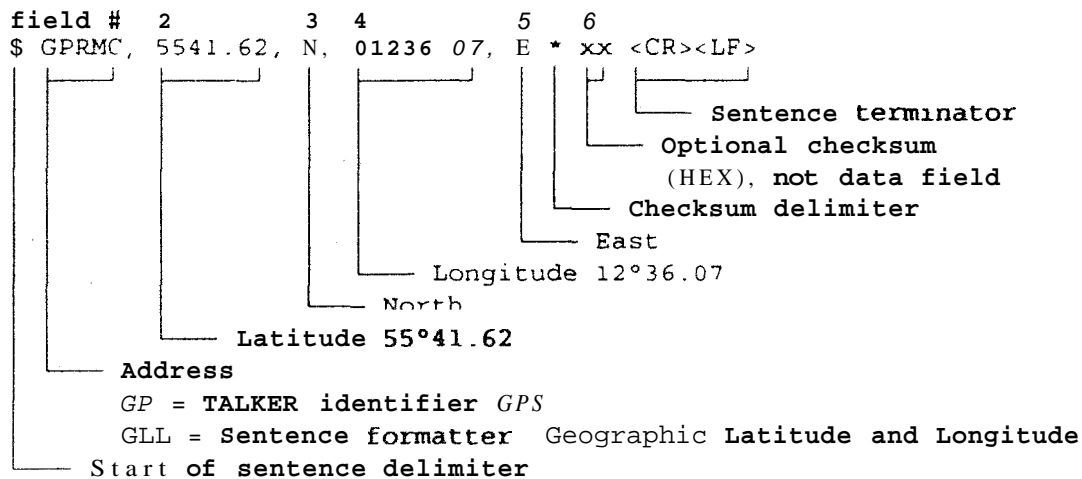
Data Format.

Data are transmitted in different sentences, each containing one or more data fields. A field consists of a string of characters immediately preceded by a "," (comma) character, except for the first (address) which is preceded by "\$". Hex OD OA <CR> <LF> - end of sentence - must follow the last field in each sentence.

The data fields are identified only by their position within the sentence as determined by the field delimiters (comma). Numerical data fields within a sentence may vary in length from one sentence to another, depending on the precision available.

Data field position is therefore determined only by counting "," (commas) rather than counting the total number of characters from beginning of the sentence.

Example:



NMEA sentences TRANSMITTED from the MK8/MK9 navigators:

The sentences all have the TALKER identifier "GP"

All GPS determined position data are in the user selected datum; waypoint positions reflect the content of the waypoint memory.

Please note:

RMB is transmitted only if a SAILPLAN is present.

APA, APB, and XTE, are transmitted only if a SAILPLAN is present and the AUTOPILOT ALARM is enabled and this alarm is in no alarm condition.

ACCORDING TO NMEA 0183, VERSION 2.0 OF 1992, JANUARY 1, 1552.

RMC - Recommended Minimum Specific GPS data:

Time, date, position, course and speed data provided by the MK8/MK9 receiver. Checksum is mandatory in this sentence. This sentence is transmitted at intervals not exceeding 2 seconds, and is always accompanied by RMB when a destination waypoint is selected. All data fields must be provided, null fields used only when data are temporarily unavailable.

field: 2 3 4 5 6 7 8 9 10 11 12 13
\$GPRMC, hhmss, A, 1111.111, a, yyyyyy .yyy, a, xx .x, xxx, ddmmyy, xx .x, a*hh<CR><LF>

explanation:

2. UTC of position fix
3. Status **A** or **V**, **A** if updating is OK, **V** if updating is stopped
4. Latitude of fix
5. North or South, N/S
6. Longitude of fix
7. East or West, E/W
8. Speed over ground, Knots
9. Track made good (COG), degrees true
10. Date: Day, Month and Year
11. Magnetic variation, degrees
12. East or West, E/W
13. Checksum delimiter and checksum

RMB - Recommended Minimum Navigation Information:

Navigation data from present position to the first destination waypoint in the sailplan. This sentence always accompanies the RMC, when a destination waypoint is selected. Checksum is mandatory in this sentence.

field: 2 3 4 5 6 7 8 9 10 11 12 13 15
\$GPRMB, A, x .xx, a, ccc, ccc, 11111, 11, a, yyyyy, yy, a, xxx .x, xxx, xx .x, *hh<CR><LF>

explanation:

2. Status **A** or **V**, **A** if updating is OK, **V** if updating is stopped
3. Magnitude of cross-track-error, nautical miles (see Note 1)
4. Direction to steer, L or R
5. Origin waypoint identifier
6. Destination waypoint identifier
7. Destination waypoint latitude
8. North or South, N/S
9. Destination waypoint longitude
10. East or West, E/W
11. Range to destination waypoint. nautical miles (see Note 2)
12. Bearing to destination, degrees true
13. Destination closing velocity, knots
14. Not transmitted from the MK8
15. Checksum delimiter and checksum

Note 1: if the XTE exceeds 9.99 **Nm**, 9.99 will be sent

Note 2: if the range exceeds 999.9 Nm, 999.9 will be sent

APB - Autopilot sentence "B"

Commonly used by autopilots, this sentence contains navigation receiver update status, cross-track error, initial bearing from origin waypoint to the next destination waypoint in the sailplan, continuous bearing from present position to destination and recommended heading to steer to destination waypoint for the active navigation leg of the sailplan. The sentence is transmitted when a **sailplan** has been created and the autopilot alarm is set to ON, and when this alarm is not in alarm condition.

field: 2 3 4 5 6 9 10 11 12 13 14 15
\$GPAPB,A,A,x.xx,a,N,,,xxx,M,ccc,xxx,M,xxx,M<CR><LF>

explanation:

- 2. Status A or V, A if updating is OK, V if updating is stopped
- 3. not used, always A
- 4. Magnitude of XTE (cross-track-error)
- 5. Direction to steer, L or R
- 6. XTE units, N for nautical miles
- 7. and 8. not transmitted (empty fields)
- 9. Bearing origin to destination
- 10. Magnetic, M
- 11. Destination waypoint identifier
- 12. Bearing, present position to destination
- 13. Magnetic, M
- 14. Heading-to-steer to destination waypoint
- 15. Magnetic, M

BWC - Bearing & distance to Waypoint - Great Circle

BWR - Bearing & distance to Waypoint - Rhumb Line

Time (UTC) and distance & bearing to, and location of, the first destination Waypoint in the sailplan from present position. Only one of the two sentences is transmitted, determined by the RL/GC selection in the SETUP function.

field: 2 3 4 5 6 7 8 9 10 11 12 13
\$GPBWC,hmmss,1111.11,a,yyyyy.yy,a,xxx,T,xxx,M,xxx.xx,N,ccc<CR><LF>
\$GPBWR,hmmss,1111.11,a,yyyyy.yy,a,xxx,T,xxx,M,xxx.xx,N,ccc<CR><LF>

explanation:

- 2. UTC of observation
- 3. Waypoint Latitude
- 4. North or South, N/S
- 5. Waypoint longitude
- 6. East or West, E/W
- 7. Bearing from present position to Waypoint
- 8. Degrees true, T
- 9. Bearing from present position to Waypoint
- 10. Degrees magnetic, M
- 11. Distance from present position to Waypoint
- 12. Nautical miles, N
- 13. Waypoint identifier

GGA - Global Positioning System Fix Data:

Time, position and fix related data for GPS receiver.

This sentence is available in MK8 with differential software and MK9 only.

Field: 1 2 3 4 5 6 7 8 9 10 11 12 13 14
\$GPGGA,hhmmss,1111.1111,a,yyyyy.yyyy,a,x,x,xx.x,xxx,M,xxx,M,xxx,xxxx*hh<CR><LF>

explanation:

1. UTC of Position
2. GPS Latitude
3. Latitude.N or S
4. GPS Longitude
5. Longitude E or W
6. GPS Quality indicator QI (0=GPS not available or invalid, 1=GPS fix, 2=Differential GPS fix)
7. Number of GPS Satellites being used
8. Horizontal dilution of precision (HDOP)
9. Antenna height
10. Units of antenna height, meters
11. Geoidal Separation (the difference between the WGS 84 earth ellipsoid and mean-sea-level (geoid))
12. Units of geoidal separation, meters
13. Age of Differential GPS data
14. Differential reference station ID, 0000 - 1023

RTE - Routes

Waypoint identifiers, listed in order with starting waypoint first.

This sentence is available in MK9 only.

field: 2 3 4 5 6 7 8
\$GPRTE,1,1,c,00,01,.....,99*hh<CR><LF>

explanation:

2. Total number of messages being transmitted (always 1 (one))
3. Message number (always 1 (one))
4. **Message** mode: c = complete route, all waypoints
5. Route identifier (always 00)
6. Waypoint identifier
7. Additional waypoint identifiers
8. Waypoint 'n' identifier

VTG - Track Made Good and Ground Speed:

The actual track made good and speed over ground, COG and SOG.

field: 2 3 4 5 6 7 8 9
\$GPVTG,xxx,T,xxx,M,xx.x,N,xx.x,K<CR><LF>

explanation:

2. Track degrees
3. True, T
4. Track degrees
5. Magnetic, M
6. Speed over ground
7. Knots, N
8. Speed over ground
9. Kilometres per hour, K

WPL - Waypoint Location:

Latitude and Longitude of specified waypoint

The content of this sentence will normally be the position of the next waypoint in the sailplan. When following the RTE sentence the positions of all the waypoints in the sailplan will be transmitted.

field: 2 3 4 5 6
\$--WPL, llll.ll, a, yyy.yy, a, ccc<CR><LF>

explanation:

- 2. Waypoint Latitude
- 3. North or South, N/S
- 4. Waypoint longitude
- 5. East or West, E/W
- 6. Waypoint identifier, 1 through 99

XTE - Cross-Track Error, Measured:

This sentence contains navigation receiver update status, magnitude of the position error perpendicular to the intended track line as determined by the sailplan, and the direction (Right/Left) to steer to reduce the error. The sentence is transmitted when the autopilot alarm is set to ON, and when this alarm is not in alarm condition.

field: 2 3 4 5 6
\$GPXTE, A, A, x.xx, a, N<CR><LF>

explanation:

- 2. Status A or V, A if updating is OK, V if updating is stopped
- 3. not used, always A
- 4. Magnitude of XTE (cross-track-error)
- 5. Direction to steer, L or R
- 6. XTE units, N for nautical miles

ZTG - UTC and Time To Go to Waypoint

UTC and predicted time to go to destination waypoint.

Field: 2 3 4
\$GPZTG, XXXXX, XXXXX, CCCC

- 2. UTC in Hour, Min and Sec
- 3. Estimated, Predicted or Elapsed Time En route
- 4. WPT or Point of Interest.

ACCORDING TO NMEA 0183, VERSION 1.5 OF DECEMBER 1987:

GLL - Geographic Position - Latitude and Longitude
Latitude and longitude of present vessel position.

field: 2 3 4 5
\$GPGLL,l111.11,a,yyyyy.yy,a<CR><LF>

explanation:

2. Latitude of present position
3. North or South, N/S
4. Longitude of present position
5. East or West, E/W

APA - Autopilot sentence "A":

Commonly used by autopilots, this sentence contains navigation receiver update status, cross-track error and initial bearing from origin waypoint to the next destination waypoint in the sailplan. The sentence is transmitted when **the** autopilot alarm is set to ON, and when this alarm is not in alarm condition.

field: 2 3 4 5 6 9 10 11
\$GPAPA,A,A,x.xx,a,N,, ,xxx,M,ccc<CR><LF>

explanation:

2. Status **A** or **V**, **A** if updating is OK, **V** if updating is stopped
3. not used, always **A**
4. Magnitude of XTE (cross-track-error)
5. Direction to steer, L or R
6. XTE units, **N** for nautical miles
7. and 8. not transmitted (empty fields)
9. Bearing origin to destination
10. Magnetic, **M**
11. Destination waypoint identifier

SNU - Receiver Update Status:

field: 2
\$GPSNU,A<CR><LF>

explanation:

2. Status **A** or **V**, **A** if updating is OK, **V** if updating is stopped

Description of the NMEA sentence RECEIVED by the MK8 and MK9 navigators.

The navigator does not use the TALKER identifier, and any pair of characters within the NMEA specification are valid.

The navigator accepts floating format in the received numbers, and checksum is optional, but if applied, the navigator will reject any data contained in a sentence with erroneous checksum.

The received WPL data will overwrite the memory content of the waypoint location which is contained in the received WPL sentence.

WPL - Waypoint Location:

Latitude and longitude of specified waypoint

```
field: 2      3 4      5 6
$- -WPL,1111.11,a.YYYYYY.yy,a,ccc<CR><LF>
```

explanation:

2. Waypoint Latitude
3. North or South, N/S
4. Waypoint longitude
5. East or West, E/W
6. Waypoint identifier, 1 through 99

RTE - Routes

Waypoint identifiers, listed in order with starting waypoint first.

This sentence is received by MK9 only.

```
field: 2 3 4 5 6 7      8
$GPRTE,1,1,c,00,01,.....,99*hh<CR><LF>
```

explanation:

2. Total number of messages being transmitted (always 1 (one))
3. Message number (always 1 (one))
4. Message mode: c = complete route, all waypoints
5. Route identifier (always 00)
6. Waypoint identifier
7. Additional waypoint identifiers
8. Waypoint 'n' identifier

Trouble Shooting Guide.

Please check your installation carefully before returning the navigator for service. A few hints are listed in the table below. The navigator executes an online check of essential functions. If a function is found erroneous, the navigator gives an 'Internal Error' message every minute. To see the actual error code you must run the self test program in the SETUP function..

Problem	Likely Cause	Action
No response: (Blank LCD display and no traffic light).	No external power supply.	Check battery voltage. Check for reverse polarity. Check wire installation. Check if fuse is blown.
Antenna open alarm.	Defect center core at antenna cable F connector.	Check that core of F connector is peeping out 1 mm. See figure 1.
Antenna short-circuit alarm.	Defect antenna cable installation.	Check antenna cable for hard bends and squeezing. Check if inner core is bent.
Battery low alarm.	Battery low.	Check battery voltage and installation.
Internal error.	Internal malfunction.	Return navigator for service. Please include error code found.
No update: (Red blinking traffic light for more than 10 minutes).	Position or time is wrong. Backup battery is flat.	Make a power up reset: (Press E-key while power is switched on). Exchange backup battery (see page 21).

Table 2

Error codes

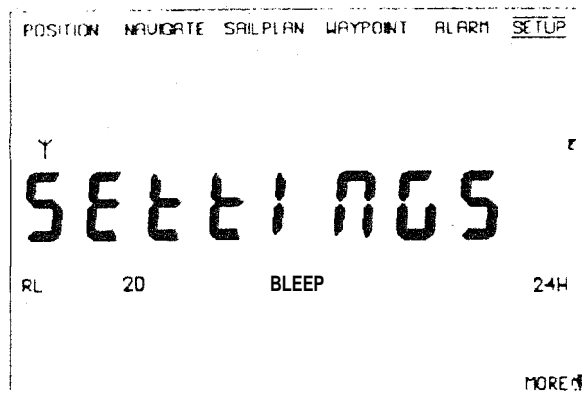
- * Baseband related errors 100 to 109
- * Real time clock errors 201 to 204
- * E2ROM related errors 300 to 303
- * Oscillator errors 400 to 410

If an error code is shown, please note it on a piece of paper and enclose it with the navigator when you send it in for repair.

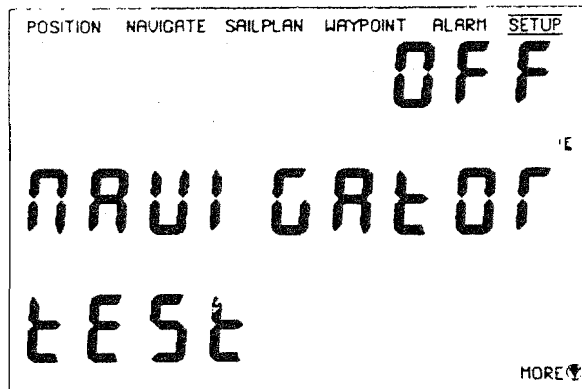
Navigator Self-test

To make a self-test of the navigator:

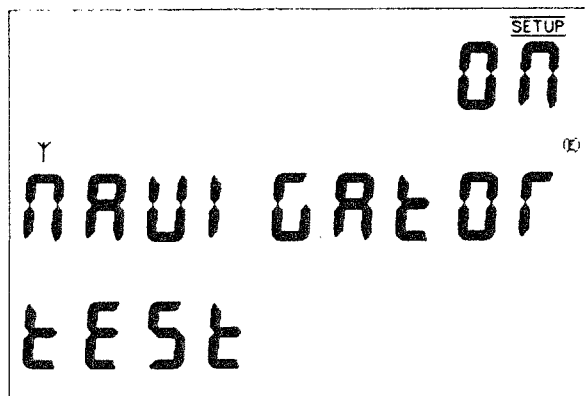
1. Select SETUP.



2. Select the "OFF NAVIGATOR TEST" display, by pressing the up or down key.
 3. Press the E-key. "OFF" is flashing.

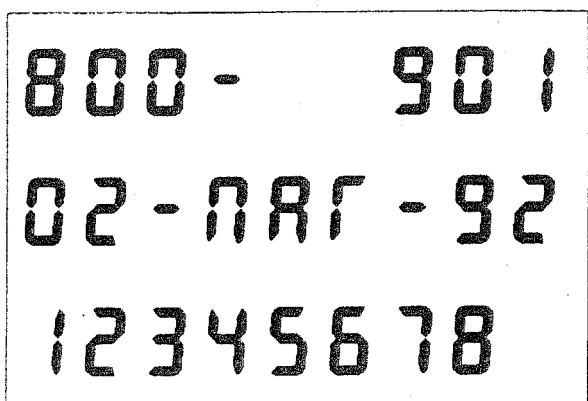


4. Use the up or down key to activate the function ("ON").
 5. Press the E-key to start the self-test.

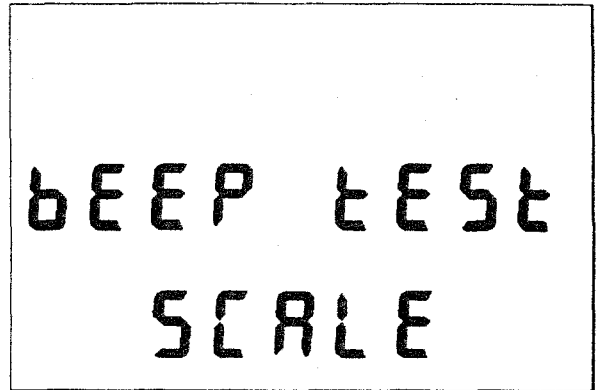


6. After the E-key has been pressed, the following displays will be shown:

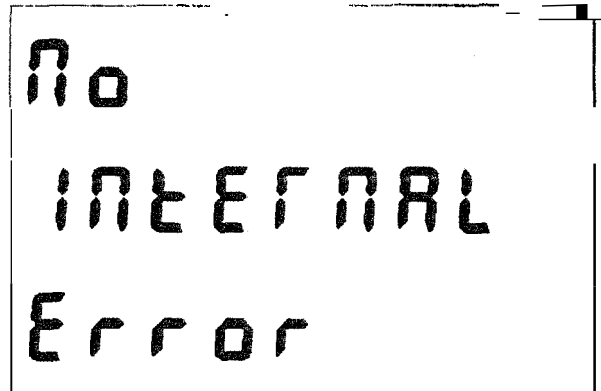
- Software release number.
- Software release date.
- Serial number.



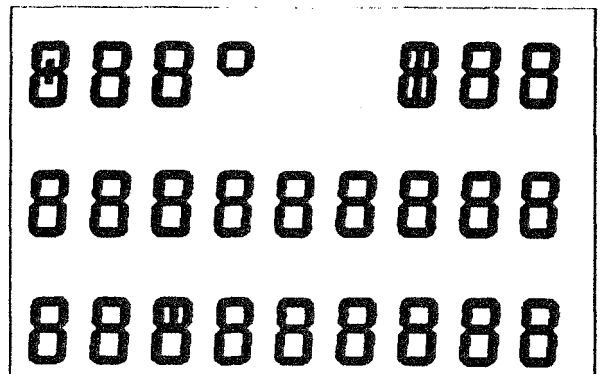
- Bleep test will sound



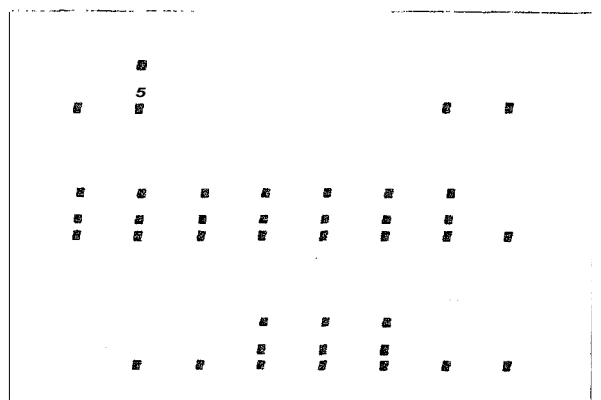
- If no errors are found this will be displayed.
- if an error code is displayed, note the number and contact your service dealer.



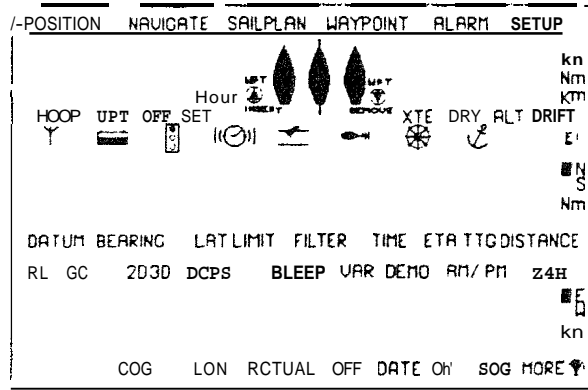
- Display numeric test.



- Display dot test.



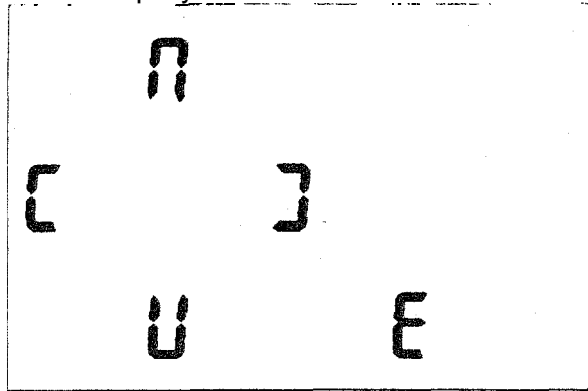
- Display symbol test.



7. Key **board** test.
5 or 9 symbols appear on the display.
8. Press the UP key and the UP symbol will stop flashing.
9. Press the LEFT key and the LEFT symbol will stop flashing.
10. Press the remaining **keys** and the rest of the symbols will stop flashing.

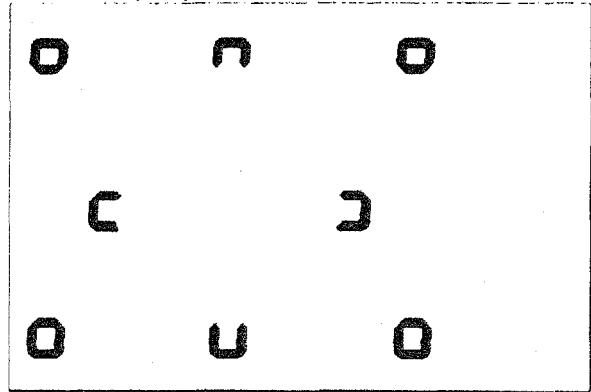
- If all symbols have stopped flashing the keyboard is ok, and the display will change to the one shown below.

MK8 display

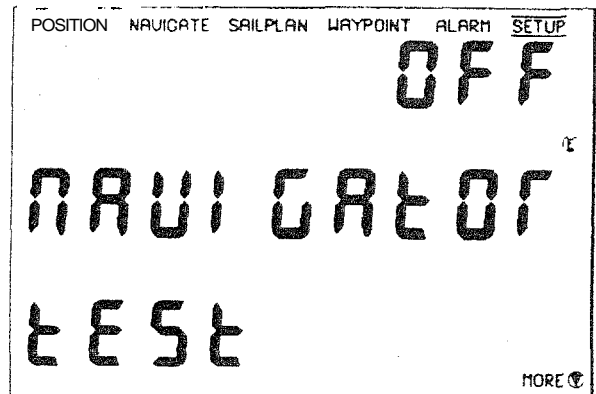


- If you can not make one or more of the symbols stop flashing by pressing the corresponding keys, you should contact your service dealer reporting the key board error.

MK9 display



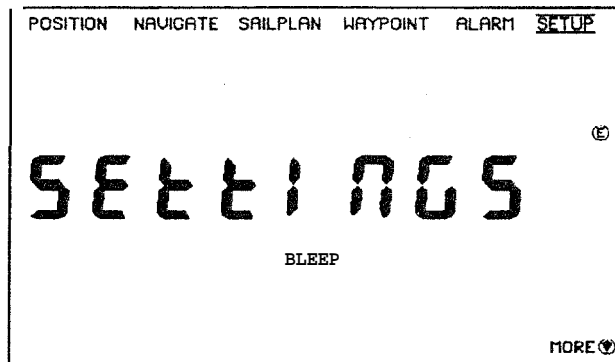
11. When the navigator has finished the self test it returns to normal mode.



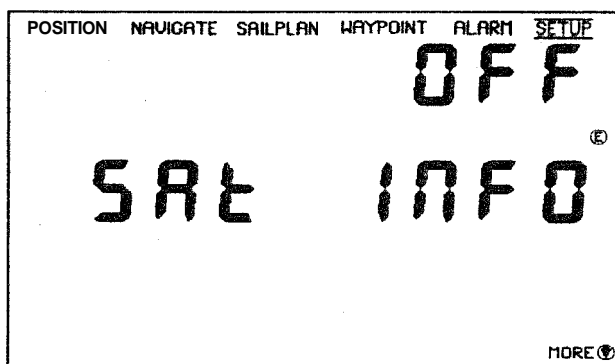
Signal quality control.

To check the signal quality, you can monitor the signal/noise ratio in POSITION. The following example describes how:

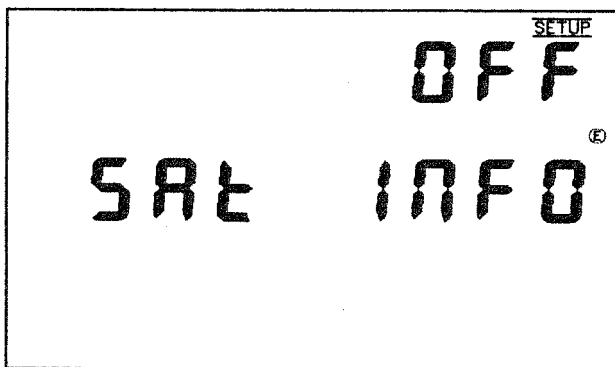
1. If SAT INFO is ON, in SETUP, jump to point number 7.
2. Select SETUP.



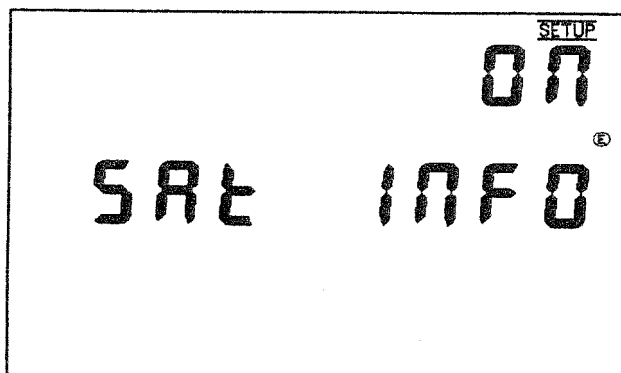
3. Scroll up or down with the arrow keys to select the SAT INFO display.



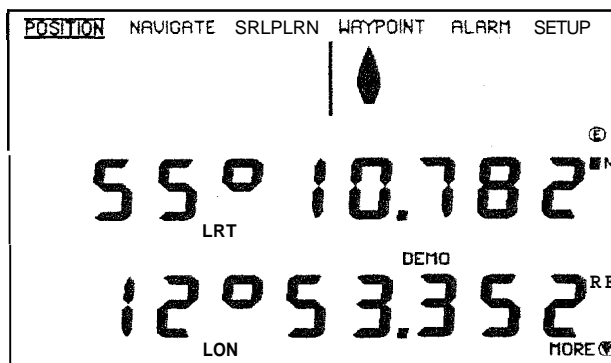
4. Press the E- key: OFF is flashing.



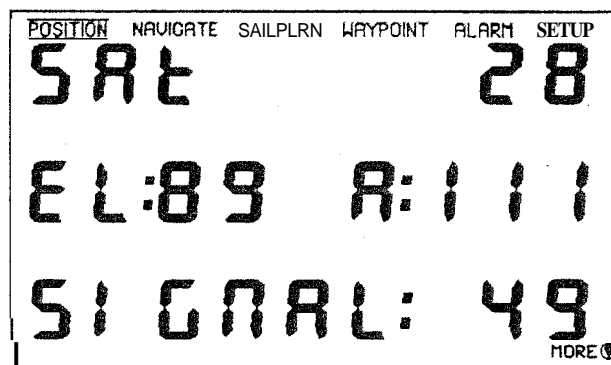
5. Press the up or down arrow key to select ON.
6. Press the E-key to exit.



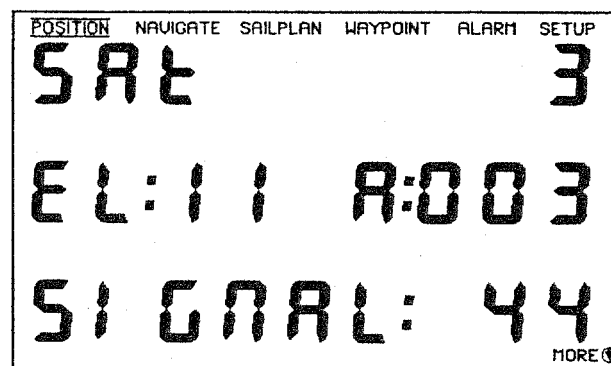
7. Select POSITION.



8. Scroll up or down with the arrow keys to select the SATELLITE INFORMATION display. SATELLITE number, ELEVATION over horizon, Azimuth from true North and SIGNAL/noise ratio.



9. Press the up or down arrow key to see the other displays, there are 6, one for each channel.



Note: The signal/noise ratio should on open sea be minimum 40 if the ELEVATION is above 30 (degrees). If this is not the case, the navigator may have a bad antenna, cable connection or a defective antenna.

Maintenance

The navigator **is** almost maintenance free. There **is**, however, a few important points to be noted.

Backup Battery.

The internal real time clock and memory that keeps track of waypoints, alarm limits etc **is** backed up by a lithium cell battery (Type CR 2032, 3V). Expected life time is 2 years.

Replacement of Backup Battery.

Be sure to have the new battery at hand. Suppliers will typical **be** your marine electronics dealer **or** a radio **shop**.

The battery **is** placed at the back of the navigator unit (see figure 7). It is an advantage to have or just have had power on the unit (for 5 minutes), before the battery **is** changed. This will give about three times the normal 50 seconds to make the change:

1. Dismount the navigator.
2. Dismount the D-SUB and antenna cable if necessary to get to the **back** of the navigator.
3. Remove the battery rubber lid from the back of the navigator using a coin or a blunt instrument.
4. Remove the old battery.
5. **You will have at least 50 seconds to insert the new battery without loosing the contents of the memory.**
6. Insert the new battery **checking the right polarity**. Use a pair of plastic tweezers, a rubber clove, a clear thin plastic back or a similar tool to replace the battery. Do not use your fingers directly on the battery. Grease from fingers **might** reduce the lifetime of the battery severely.
7. Replace the rubber **lid**.
8. Connect the cables (if dismantled).
9. Remount the navigator.

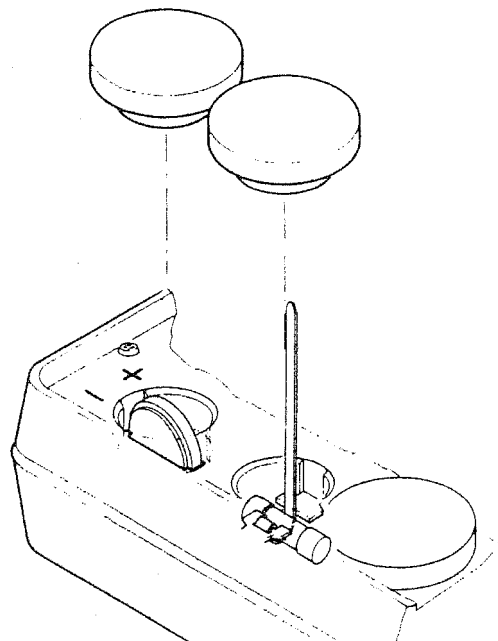


Figure 7.

Replacement of Fuse.

The navigator has an internal fuse to protect the electronic from overvoltage or wrong polarity.

A 1.25 A fast blow 05mm by 20mm must be used. Suppliers will typical be your marine electronic dealer or a radio shop.

The fuse is placed at the back of the navigator unit (see figure 7). You must disconnect the power cable before installing the replacement fuse. **Also** please check the polarity and voltage - in order to find the cause of the blown fuse before reinstalling the navigator.

1. Dismount the navigator.
2. Dismount the **D-SUB** and antenna cable.
3. Remove the fuse rubber lid from the back of the navigator using a coin or a blunt instrument.
4. Remove the old fuse pulling the nylon strip.
5. Inspect the old fuse to test if it is blown. (If not check the power cable installation).
6. Place the new fuse in the fuse socket. Be sure to get the nylon strip underneath the fuse in order to be able to remove the fuse next time.
7. Replace the rubber **lid**.
8. Connect the cables.
9. Remount the navigator.

Cleaning.

Use a fresh clean soft cloth for cleaning. **Do not** clean with alcohol or any **other solvent** as it will destroy the clarity **of** the display window.

Salt deposits on the antenna should be removed at regular intervals using clean fresh water.

Software Up-date

Your navigator **is** an advanced piece of electronics. The many functions and features are designed to fulfil most, if not **all**, of the demands you may have **as** a yachtsman.

We receive, however, many suggestions from a variety of users for new, changed or extended features. This information combined with the **skill** of our development engineers (of which most are keen yachtsmen) gives us the possibility of updating the software that controls the navigator.

The **Philips navigator** products have always been on the forefront when it comes to yacht navigation. This **GPS** navigator *is* no exception.

The navigator is designed so that the control software can be changed or updated without even opening the housing, When new software versions become available, just **bring** your navigator to the authorized dealer. He will make the upgrade in a matter of minutes.

If new software features (e.g. Differential GPS for MK8) become available, you will be notified through the boating press or directly from your dealer.

The software updates will be available for a nominal **fee**.

Technical Data

Technology

Navigator:

Receiver: 6 channels parallel continues tracking.
Display: Type: Transparent STN Liquid Crystal.
Multiplied: 8:1
Back light: Yellow LEDs.
Protection: Acryl 7N PMMA window.
Key board: Embossed membrane switch (5 keys).
Text Foil: Polycarbonate.
Plastic enclosure: ABS/PC-blend Cycoloy C1200.
Data Connector: 9 pin (male) D-SUB.
Antenna Connector: F, female (for RG59).

Antenna:

Type: Patch with build in preamplifier.
Ground plane: Not needed.
Connector: Depending of type of antenna.
Material: Depending of type of antenna.

Antenna Cable:

Type: SAT4S or RG59.
Connectors: Navigator end: F, male twist on (for RG59)
Antenna end: TNC male.

Data Cable:

Type: Power: Joint pair 0.75 mm²
NMEA talker: Shielded pair 0.10 mm²
MK9 cable only:
NMEA listener: Shielded pair 0.10 mm²
MOB: Joint pair 0.20 mm²
Connector: 9 socket (female) D-SUB.

Physical Characteristics

Navigator:

Height: 127 mm
Width: 222 mm
Depth mounted: 40 mm to wall
Depth flush mounted: 23 mm to wall
Depth overall: 75 mm
Weight: 680 g
Mounting stay length: 45 mm (34mm free), 6 mm thread.

Antenna:

Length: Depending of type of antenna.
Width: Depending of type of antenna.
Depth mounted: Depending of type of antenna.
Depth overall: Depending of type of antenna.
Weight: Depending of type of antenna.

Antenna Cable:

Diameter: Ø 6 mm, 0.50 mm² solid core.
length: 14 m

All specifications and accessories are subject to change without prior notice

Data Cable:

Length:	Power:	6 m
	NMEA:	2 m
	MOB:	6 m (MK9 only)

Environmental**Navigator:**

Operating temperature range:	-0°C to +50°C
Ambient conditions:	Splash proof (when mounted correctly).

Antenna:

Operating temperature range:	-10°C to +70°C
Ambient conditions:	Marine, waterproof.

Cables:

Operating temperature range:	-10°C to +70°C
Ambient conditions:	Marine.
Bends:	Minimum radius 50 mm for antenna cable.

All:

Storage temperature range:	-20°C to 70°C
Relative humidity:	95%
Vibrations:	MPT 1204/11 FTZ 171 R47 CEPT TR 34-01 IEC

Compass safe distance

Recommended 0.5 m

Power & inputs/outputs**Navigator:**

Power:	Type:	DC/DC switch mode with galvanic separation.
	Consumption:	Less than 5 W (display back light on).
Supply voltage:		12 or 24 volt battery: 9.6 VDC to 32 VDC.
Reverse protection:		At 0.7 V: Fuse.
Overvoltage protection:		At 40 V: Fuse.
Isolation:		Supply voltage to data pins or shield: Max 50 VDC.

NMEA talker (output):	Meets NMEA 183 version 2.0
voltage:	max ±6 V, min ±2 V
current:	max 18 mA

NMEA listener (input):	Meets NMEA 183 version 2.0
isolation:	opto coupler.
input impedance:	500Ω
threshold:	max 2 V / 2 mA
max voltage:	±15 V

MOB:	Reference:	REF GND.
	input impedance:	50 K Ohm to 100 K Ohm: internal pull up to 5 V.
	Activated:	Short-circuited to REF GND (contact closure).
	Max voltage:	±25 V

Backup:	Type	Lithium battery 3.2 V # CR 2032.
	Life:	Minimum 2 years.
	Replacing:	From the back of the navigator.

Battery change: Time for **battery** change *is* minimum 50 seconds without **loss** of data.

Fuse: Value: 1.25 Amp fast blow.
Size: 0 5 mm by 20 mm.
Replacing: From the back of the navigator.

Antenna:
Power Consumption: 0.1W supplied by the navigator through the antenna cable.

Supply voltage: 5.5VDC
Amplifier: Gain: 12 dB at 1575.42 MHz
Noise figure: 2.5 dB

Program functions

Navigator:

Displays:

- Position: Latitude, Longitude (& Altitude)
Time
Satellite status
- Navigate: Course Over Ground
Speed Over Ground
Cross Track Error (XTE)
Bearing to next waypoint
Distance to next waypoint
Time To GO
Estimated Time of Arrival
- Sailplan: One **sailplan** with up to 100 waypoints
- Waypoints: 100 (0 to 99)
- Alarms: Antenna open/shorted
Battery low voltage
Position no update
Waypoint approach
Autopilot
Anchor
Time (8)
Man Over Board (MOB)

NMEA 183 talker sentences:
Version 2.0: APB, BWR, BWC, RMB, RMC, VTG and XTE.
Version 1.5: APA, GLL and SNU.

NMEA 183 listener sentences:
Version 2.0 & 1.5: WPL.

Update: Display: Every second.
NMEA sentences: Every two seconds.

Automatic initialization

The navigator has an automatic position initialization which will always result in the correct position. It is not possible to enter an estimated time or position into the navigator. If the navigator has been moved more than a few hundred nautical miles without tracking satellites, the navigator will start to search for the correct position after approximately 30 minutes.

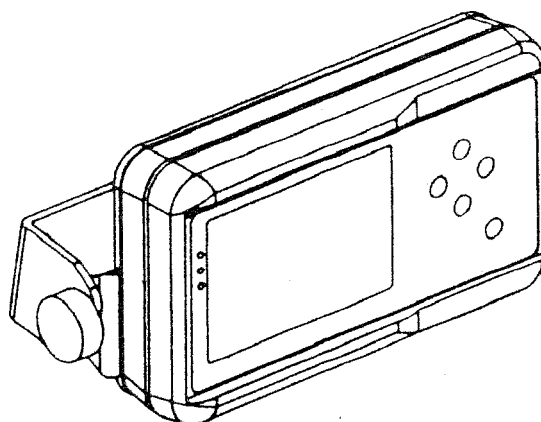
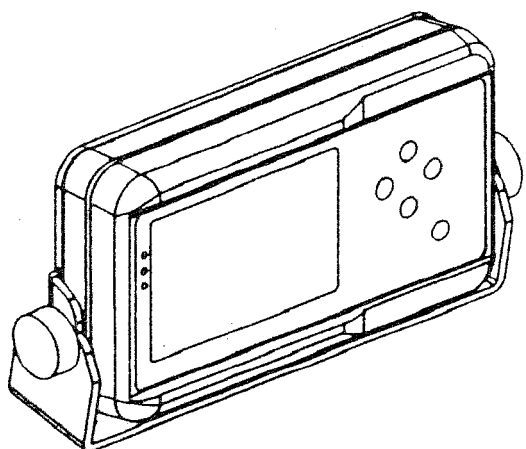
Equipment

Standard:

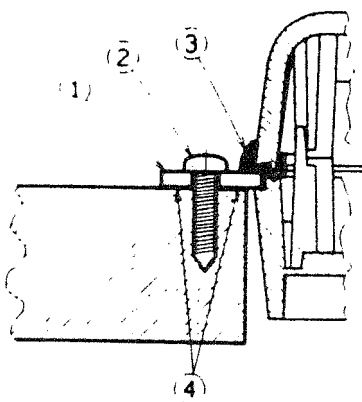
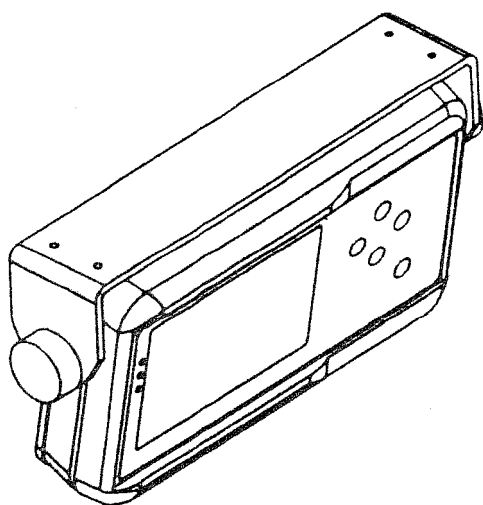
Navigator unit
Drilling template
Navigator mounting stays and nuts
Supply and interface cable
Backup battery cell
Users manual
Technical manual (this booklet)
Patch Antenna
Antenna cable
Antenna mounting bracket, screws and nuts
Antenna mounting instruction

Optional:

Mounting Bracket for below deck installation:
Part No. 9525 200 70710



Flush Mounting Kit for above or below
deck mounting:
Part No. 9525 200 70700



1. Flush mounting frame.
2. 10 pcs. screw.
3. Red rubber seal.
4. Silicone grease (optional).

Antenna for flush mounting on ground plane
(min. area 800 cm²):
Part No. 9525 200 08980

International Service

Australia

Coursemaster Autopilots
7 Smith Street
Chatswood, N.S.W. 2067
Tel: +61 29 417 7097
Fax: +62 29 417 7557

Belgium

See Holland

Denmark

Leica Geosystems A/S
AP Navigation
Hørkær 12A
DK-2730 Herlev
Tel: +45 44 54 03 24
Fax: +45 44 94 43 96

Finland

NAVIDEC OY
Hernesaarenranta 13
PL 326 FIN-00151 Helsinki
Tel: +358 9 7001 7780
Fax: +358 9 179 830

France

Furuno France S.A.
Parc Technologique Carnot
20 Avenue Edouard Herriot
F-92356 Le Plessis Robinson Cedex
Tel: +33 1 46 29 94 29
Fax: +33 1 40 94 08 45

Germany

NAVICO DEUTCHLAND GmbH
Lollfuss 43-45
D-24837 Schleswig
Tel: +49 4621 9613-0
Fax: +49 4621 9613-28

Great Britain

Comar Service Ltd.
Unit 3, Medina Court
Arctic Road, Cowes PO 31 7XD
Isle Of Wight
Tel: +44 1983 282400
Fax: +44 1983 280402

Greece

Selmar Electronics Ltd.
12-14 Gain. Tzelepi
GR-18531 Piraeus
Tel: +30 14 11 95 85-7
Fax: +30 14 11 95 88
Tlx: 241 892

Holland

Sailtron B.V.
Postbus 5044
NL-3502 JA Utrecht
Tel: +31 302 94 47 41
Fax: +31 302 93 76 42
Tlx: 40 526

Hong Kong

Radio Holland Group
806 Join-In Hang Sing Centre
71 - 75 Container Port Road
Kwai Chung, N.T.
Tel: +852 422 39 007
Fax: +852 482 05 898
Tlx: 50881

Iceland

Elcon HF
Grandagardi 18
IS-127 Reykjavik
Tel: +354 5 61 95 10
Fax: +354 5 61 82 81

Ireland

See Great Britain

Italy

Messree MERCATORE srl.
P.O. Box 36
Porto Turistico
I-16043 Chiavari (GE)
Tel: +39 185 31 26 08
Fax: +39 185 32 27 31

Norway

ProNav as
Langholmen P.O. Box 421
N-4370 Egersund
Tel: +47 51 49 43 00
Fax: +47 51 49 21 00

Portugal

Soc. Com. Crocker Delaforce
& Ca Lda
Rua D. Joao V, 2 - 2nd
P-1200 Lisboa
Tel: +351 13 88 01 41
Fax: +351 13 88 27 11

International Service

South Africa

Decca Contractors **S.A.** Pty. Ltd.
1 & 2 Enslin Road
Ottery 7800, Cape
Tlf: +27 21 70 41 600
Fax: +27 21 70 41 610

Spain

C.R.A.M.E. **SA**
C/San Severo 30
"Barajas Park"
E-28042 Madrid
Tel: +34 13 29 18 62
Fax: +34 13 29 30 46

Sitelsa S.A.

Via Augusta, 186
ES-08021 Barcelona
Tel: +34 34 14 01 92
Fax: +34 34 14 25 33

Sweden

Sportmanship Marin **AB**
Bolshedens Industrivaeg 30
S-427 22 Billdal
Ttf: +46 31 93 94 00
Fax: +46 31 91 32 31

Switzerland

Bucher & Walt
Route De Soleure 8
CH2071 St. Blaise
Tel: +41 38 35 95 00
Fax: +41 38 35 95 30

Turkey

Beyoglu, Gumussuyu
Bolahenk Sok. No.11
Taksim Istanbul
Tel: +90 21 22 39 10 29
+90 21 22 93 28 31
Fax: +90 21 22 43 61 25

All warranty service is carried out in accordance with terms and conditions applicable in the country of purchase.

Glossary of Terms

ALARM

Message by which the navigator signals the occurrence of an event. The alarm is indicated by an audible tone and a message (or icon) on the display.

ALMANAC

Library of coarse satellite orbital characteristics used to calculate satellite rise times, set times, angles of elevation etc. Almanac data is valid for several months.

ALTITUDE

The height of the navigator over mean sea (taking into account the ANTENNA HEIGHT as stated in SETUP, in the User Manual).

ANTENNA HEIGHT

The height (over the water line) in which the antenna is installed.

AZIMUTH

In satellite navigation, the angular distance measured on the horizon circle in a clockwise direction from the north point in the horizon to the satellite point in the horizon.

BEARING

The direction of one terrestrial point from another, expressed as angular distance from north clockwise through 360 .

COG

See COURSE OVER GROUND

COMPASS HEADING

Compass reading before correction for deviation and variation.

COURSE

The horizontal direction in which a vessel *is* steered or intended to be steered, expressed as angular distance from north clockwise through 360. (Strictly the term **applies** to direction through the water, not the direction intended to be made good over the ground). The course is often designated as **true, magnetic, or compass** as the reference direction **is** true, magnetic, or compass, respectively.

COURSE LINE

A line, as drawn on a chart, extending in the direction of a course (rhumb line).

COURSE OVER GROUND

Course made good relative to the sea bed.

GROSS TRACK ERROR (XTE)

The perpendicular distance from the vessel to the actual course line (track) as defined in the Sailplan.

DATUM

The framework on which the coordinates used to define position on the earth's surface **is** based. In the navigator, a datum shift relative to WGS 84 **is** defined **by** the following parameters:

- A and F Size and shape of a reference ellipsoid.
- ▲X, ▲Y, ▲Z Position of the reference ellipsoid origin in relation to the satellite datum ellipsoid origin.

EDIT

To modify existing display data via the keyboard.

ELEVATION ANGLE

The angle made by the line-of-sight range to the satellite and the horizontal plane of the navigator. Thus, the elevation angle is 90 degrees when the satellite is overhead and 0 degrees when the satellite first appears on the horizon. Satellites whose elevation angle is **less** than 3 degrees are not good candidates for providing an accurate position (latitude and longitude) update.

ENTER

To store data in the memory of the navigator.

ETA

Estimated Time of Arrival. Calculated on basis of the distance to the destination **and** the actual (present) speed.

FILTER TIME

If the GPS signals are distorted by Selective Availability (S/A) the COG and SOG readings will be unstable, especially at low speeds. In order to smoothen out the readings you can activate the FILTER TIME feature.

With FILTER **TIME** set to 0 (zero) minutes the navigator will have the dynamics adjusted to yachting purposes. With **S/A** active additional filtering may be needed. The averaging time **can** be increased to 1 through 19 minutes. The optimal value depends on the characteristics of the **S/A** and your navigational needs. 10 minutes may be a **good** starting point.

FUNCTION

A specific operational capability of the navigator.

GLOBAL POSITIONING SYSTEM, GPS

The NAVSTAR Global Positioning System which consists of orbiting satellites, a network of ground control stations, and user positioning and navigation equipment. When **fully** operational, the system will have 21 plus 3 active spare satellites in **six** orbital planes about 20,200 kilometres above the earth.

GREAT CIRCLE NAVIGATION

Navigation based on Great Circle. The advantage of Great Circle navigation **is** that **it** brings you the shortest way through the **sailplan**. The disadvantage is that a Great Circle track may differ from the straight rhumb line that **is easily** drawn on a Mercator projected chart. Great Circle navigation **is** recommended for ocean voyages only. The advantage increases by higher latitude (north or south). **It is** biggest on an east/west course **and** zero on a north/south course.

HDOP

Horizontal Dilution Of Precision. An indicator of the two dimensional accuracy in position (latitude and longitude). Converted to metres **it** is theoretically HDOP x 10 when S/A **is** off.

INTERFACE

Electronic circuits that permit the passage of data between different types of devices.

LATITUDE

The perimeter **of** a parallel plane in the earth's ellipsoid. The parallels define latitude. A special case parallel is the equator whose latitude is 0 degrees and to which all other parallels are referenced.

LEG

One of the stages in a sailplan.

LOCAL TIME ZONE

The time zone (see TIME ZONE) in which the navigator is located

LOCAL TIME ZONE OFFSET

The number of hours by which the local time zone differs from Universal Time Coordinated.

LONGITUDE

The circumference line of a meridian plane. The meridians define longitude. A special case meridian is the Greenwich meridian whose longitude is 0 degrees and to which all other meridians are referenced.

MAGNETIC HEADING

Direction as sensed **by** the steering compass in relation to magnetic north.

MAGNETIC NORTH

Direction in the plane of the observer's horizon toward the earth's north magnetic pole.

MAGNETIC VARIATION

The angle **by** which magnetic north deviates from true north at any given point on the earth's surface.

MERCATOR CHART

A map developed by Mercator projection wherein the curved surface of the earth's ellipsoid is projected onto a cylinder and the cylinder is "unwrapped" to form a flat representation of the ellipsoid (earth model).

NMEA

National Marine Electronics Association. The NMEA electronics interface specifications have been developed under the auspices of the Association. The NMEA 0183 is an internationally recognized specifications for interfacing marine electronics.

OFF TRACK

See CROSS TRACK ERROR

POSITION UPDATE

The recalculation of position by analysis of satellite orbital data as referenced to time.

RHUMB LINE

The course of a vessel that keeps a constant direction drawn as a line on a chart or globe and cutting across **all** meridians at the same angle. A rhumb line is a straight line on a mercator chart.

RHUMB LINE NAVIGATION

Navigation based on rhumb lines. See also GREAT CIRCLE NAVIGATION.

S/A

See SELECTIVE AVAILABILITY

SAILPLAN

The sailplan is a sequential list of waypoints describing the planned voyage. It is in other words the "active route" to follow.

SATELLITE SIGNAL

Transmitted electromagnetic energy from a GPS satellite whose time of arrival is measured by the navigator to calculate the position of the navigator antenna.

SELECTIVE AVAILABILITY (S/A)

A system whereby the accuracy of GPS is reduced. **S/A** is controlled by the U.S. Department of Defense.

S/N (SIGNAL-TO-NOISE RATIO)

Quantitative relationship between the useful and non-useful part of the received satellite signal. A high S/N indicates a good signal strength.

SOFTWARE

Values programmed and loaded into memory. The values represent a permanent set of instructions for running the automatic functions (computations) of the navigator.

SOG - SPEED OVER GROUND

Speed in relation to the sea bed.

STEERING COMPASS

The compass used for navigation.

TIME OFFSET

The number of hours by which the time zone differs from Universal Time Coordinated (UTC).

TIME ZONE

One of the 24 longitudinal segments around the world, each generally 15 degrees and 1 hour wide. In some regions there are half-hour time zones.

TRUE HEADING

Direction in relation to true north. True heading is compass heading corrected for MAGNETIC VARIATION and deviation.

TRUE NORTH

Direction along the meridian of the observer to the north pole.

UNIVERSAL TIME COORDINATED

(UTC) Greenwich mean time corrected for polar motion of the earth and seasonal variation in the earth's rotation.

UPDATE

See POSITION UPDATE.

WAYPOINT

A point, usually along the planned **track** of the vessel whose position coordinates may be stored in the navigator. The point position is the basis of **the** heading, range, heading-to-steer, estimated time of arrival and steering display calculations.

WORLD GEODETIC SYSTEM (WGS)

Worldwide datums (WGS 72 and WGS **84**) used for satellite navigation systems. For **all** practical purposes the two datums may be considered identical. You may thus use the WGS72 offset figures from the chart in the navigators WGS84 Plus Offset datum (00). **All** charts will eventually be converted to WGS 84 datum.

X-TRACK ERROR

See CROSS TRACK ERROR.

About GPS

GPS (the Global Positioning System) represents the state of the art in precise, continuous, worldwide satellite navigation.

The constellation of satellites will ultimately consist of 24 operational satellites (21 plus 3 operating spares). The US Department of Defense (DOD) will declare the GPS constellation fully operational when 21 operational (Block II) satellites are functioning in their assigned orbits. This is expected to occur in 1993.

Users are cautioned that the system is under development, and signal availability and accuracy are subject to change without warning at the discretion of the DOD. Therefore, until the system is declared Operational, any use of the system is at the user's own **risk**.

GPS will provide two levels of service - a Standard Positioning Service (SPS) and a Precise Positioning Service (PPS).

SPS is a positioning service which will **be** available to all GPS users on a continuous, worldwide basis with no direct charge. **SPS** will be provided on the GPS L1 frequency which contains a course acquisition (C/A) code and a navigation data message. SPS is planned to provide the capability to obtain horizontal position accuracy within 100 meters 2drms (95 percent probability) and 300 meters 99.99 percent probability. The GPS L1 frequency also contains a precision (P) code, that is not part of the SPS.

PPS is a highly accuracy military positioning service that will not **be** publicly available.

The SPS accuracy is a result of a degradation of the basic GPS accuracy, caused by a cryptographic technique called selective availability (S/A). Without S/A the typical horizontal accuracy is found in the range 15 to 30 meters 2drms.

Unlike Decca and Loran-C navigators, the geographical accuracy and the position repeatability are identical for GPS navigators.

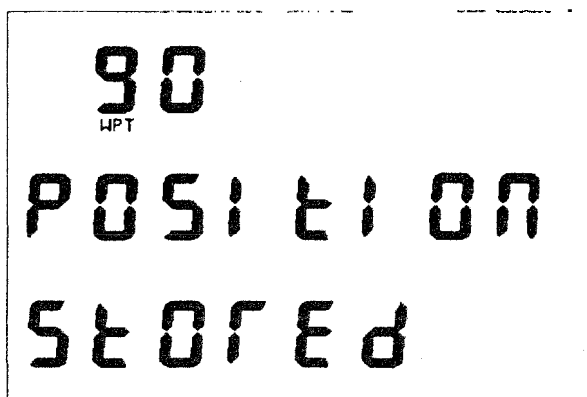
There is at present no information in the GPS signals telling the civilian user whether **S/A** is used or not. However, if your boat is moored, and the navigator shows a steady Course Over Ground and (low) Speed Over Ground, you may expect that **S/A** is in use.

Position Store

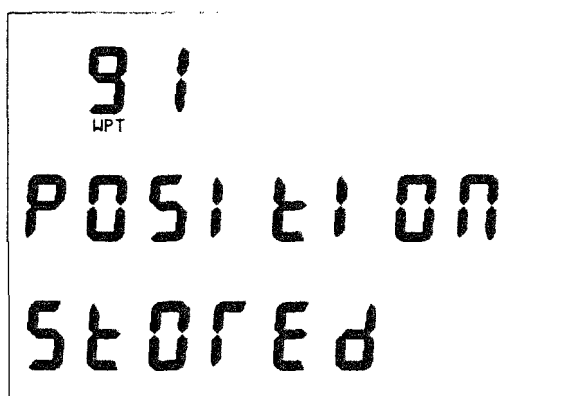
The navigator **offers** a POSITION STORE (MARK) feature. Waypoints 90 through 98 are reserved for this purpose.

Store the present position **as a way-**point:

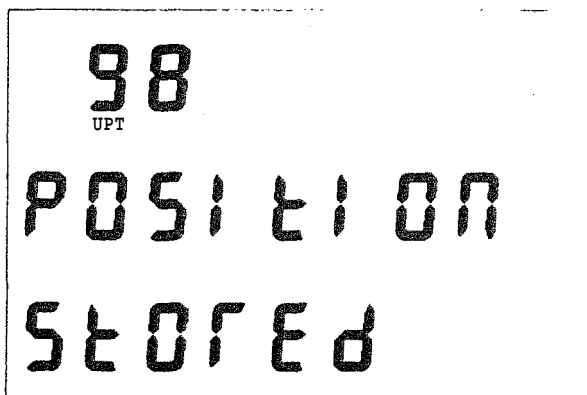
1. Press the MO5 button briefly (less than 2 seconds). The latitude and longitude of the present position are now stored in the navigator. The number of the waypoint will be displayed for a few seconds (e.g. number 90).



2. The next time the button is pressed the new position is stored in the next waypoint location (here number 91).



3. Each time the button is pressed the position is stored in the next waypoint location until waypoint 98 has been used. The navigator will then start with waypoint 90 again.
4. Each **time** a position is stored, the old (existing) data are overwritten. **If** you intend to keep the new waypoints, they should be moved to a 'safe' waypoint location (Nos. 1 through 89).



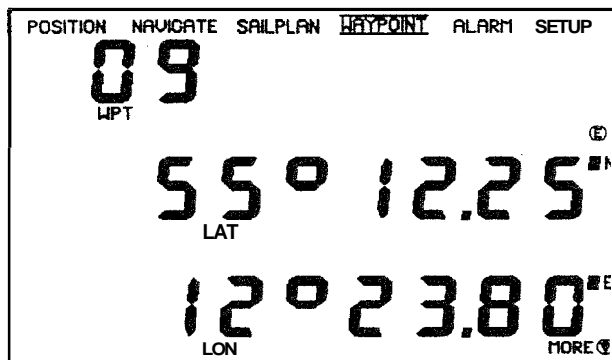
Alarm Acknowledge

Alarms may be acknowledged by a short press of the MOB button.

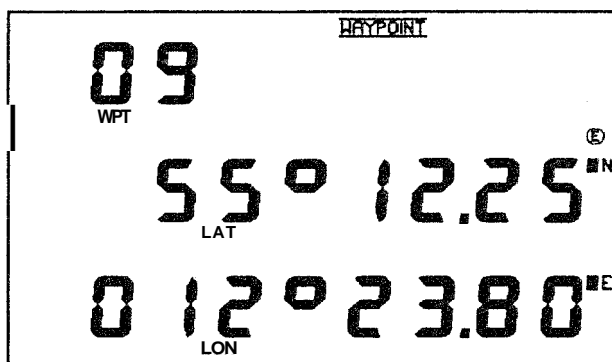
Fast access to waypoints in the waypoint bank.

Instead of scrolling through the waypoint bank (for instance from WPT no 9 to 56) you can choose to make a **short** cut by editing in the waypoint number. The following example describes how:

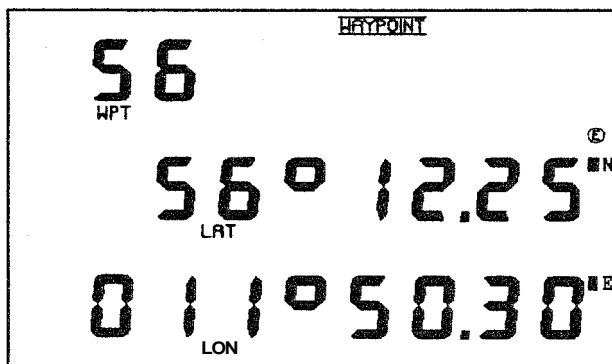
1. Select WAYPOINT.



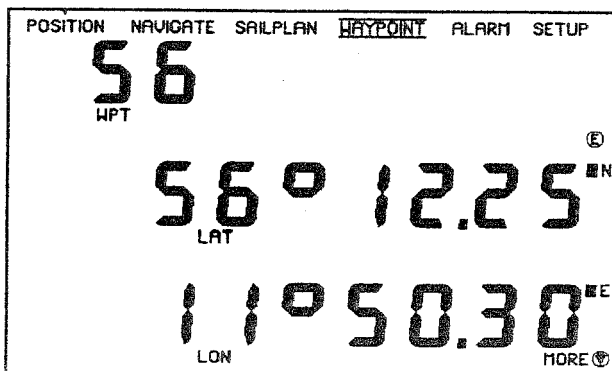
2. Press the E-key. The first digit in LAT is flashing.
3. Press the left arrow key. Now the last digit in WPT is flashing.



4. Use the **up** or down arrow key to change the last digit of the waypoint number.
5. Press the left arrow key. The first digit in WPT is flashing.
6. Use the **up** or down arrow key to change the **digit**.



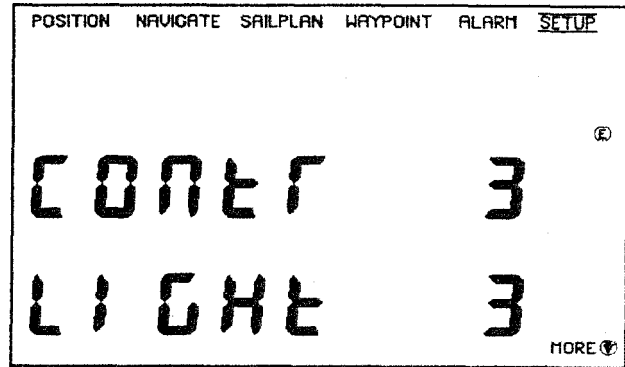
7. Press the E-key to **exit**.



Contrast and Back Light setting.

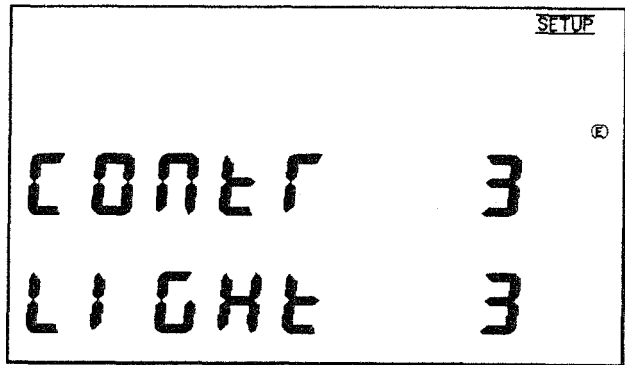
At sunset and sunrise respectively, the backlight is switched ON and OFF automatically. The contrast and back light of the display can be changed to accommodate different viewing conditions. The following example describes how:

1. Select SETUP.

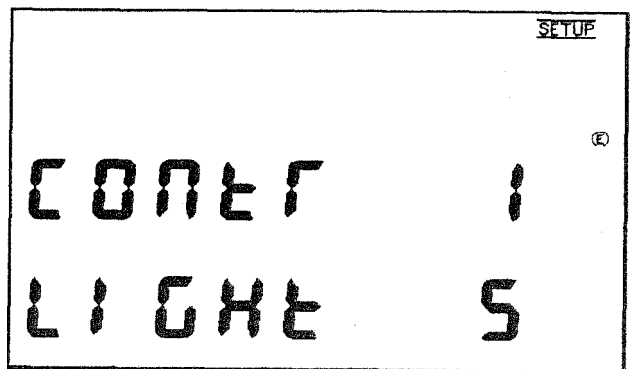


2. Scroll up or down with the arrow keys to the CONTR/LIGHT display.

3. Press the E-key:
First digit (CONTRast) is flashing.



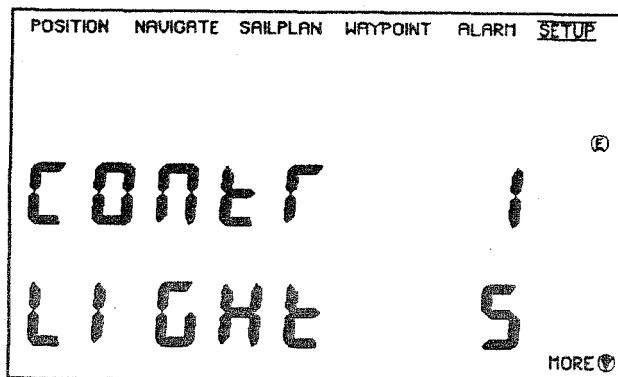
4. Press the up or down key and the contrast of the display will change.
The CONTRAST can be set on a scale of 1 through 5.



5. Press the left or right key to select LIGHT.

6. Change the back light in the same way as described in 4.

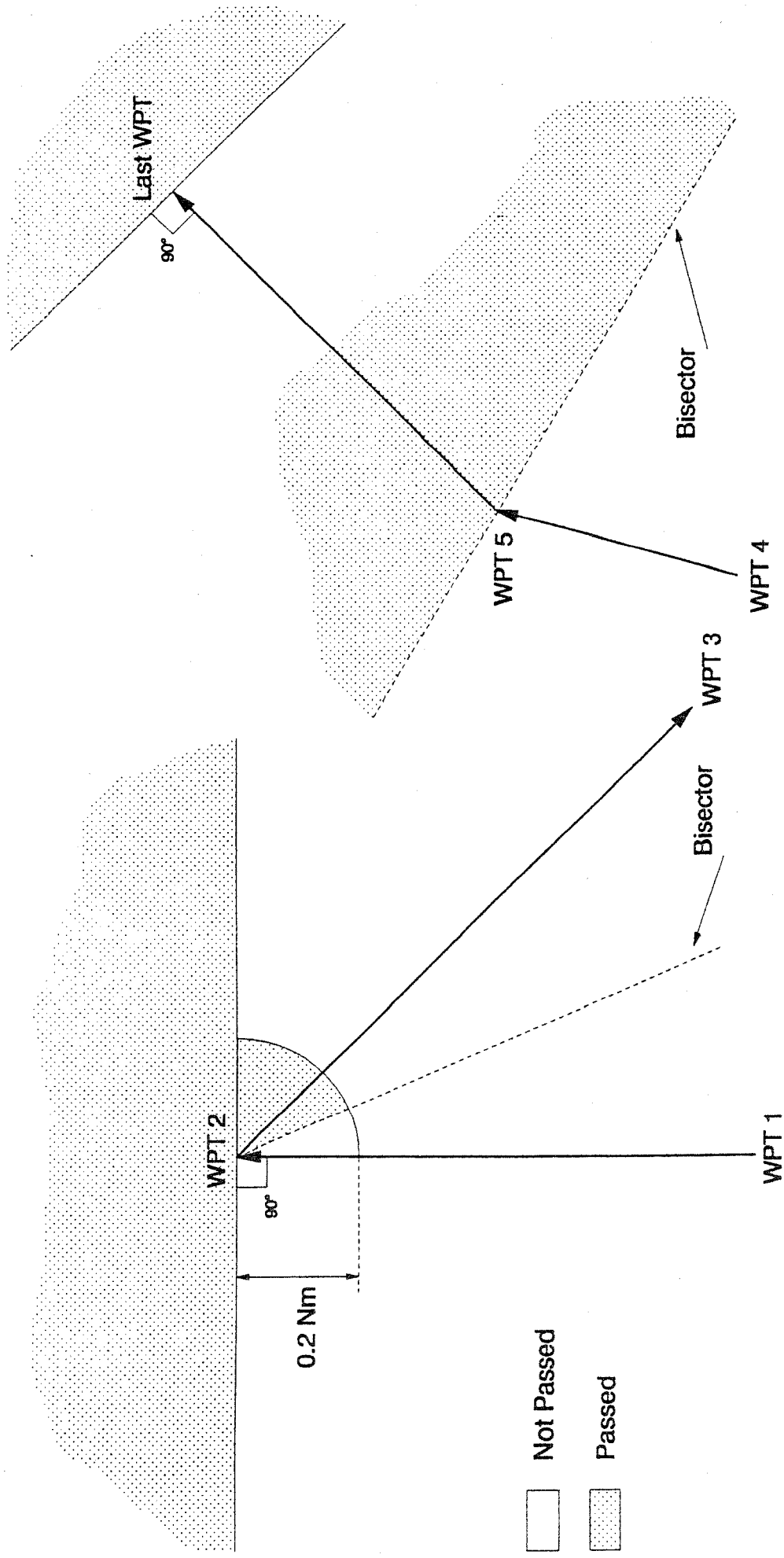
7. Press the E-key to exit.



Waypoint Pass Criteria - Complex

Pass Criteria for Acute Angles ($\leq 90^\circ$) between Waypoint Legs

Pass Criteria for Obtuse Angles ($> 90^\circ$) between Waypoint Legs



- Not Passed
- Passed

WPTPASS.DRW

Waypoint List

WPT No.	Latitude	Longitude	Name/Description	Datum
01				
02				
03				
04				
05				
06				
07				
08				
09				
10				
11				
12				
13				
14				
15				
16				
17				
18				
19				
20				
21				
22				
23				
24				
25				

Waypoint List

WPT No.	Latitude	Longitude	Name/Description	Datum
26				
27				
28				
29				
30				
31				
32				
33				
34				
35				
36				
37				
38				
39				
40				
41				
42				
43				
44				
45				
46				
47				
48				
49				
50				

Waypoint List

WPT No.	Latitude	Longitude	Name/Description	Datum
51				
52				
53				
54				
55				
56				
57				
58				
59				
60				
61				
62				
63				
64				
65				
66				
67				
68				
69				
70				
71				
72				
73				
74				
75				

Waypoint List

WPT No.	Latitude	Longitude	Name/Description	Datum
76				
77				
78				
79				
80				
81				
82				
83				
84				
85				
86				
87				
88				
89				
90				
91				
92				
93				
94				
95				
96				
97				
98				

