

Pressure Absorbing slide & Battcar help guide

How to choose the right slide or battcar ref number for your purpose?

Pressure absorbing slide reference:

1. Choose batten fitting on Page 26.
2. Choose body ref no depending on mast section in the selection guide on Page 32

Wheel size reference no	
5	Standard wheel version
6	Bigger wheel version

Body reference no		For batten fitting
11	Pressure absorbingslide 11mm	1490 and 1490G
16	Pressure absorbingslide 16mm	1490 and 1490G
19	Pressure absorbingslide 19mm	1490 and 1490G
20	Pressure absorbingslide 20mm	1490 and 1490G
23	Pressure absorbingslide 23mm	1490 and 1490G

1 5 2 X - XX

Battcar reference:

1. Choose batten fitting/receptacle on Page 26-27.
2. Choose application ref no depending on fitting/receptacle on Page 34-39.
3. Choose body ref no depending on mast section in the selection guide on Page 32.

Material or wheel size reference no	
0	Standard wheel and material version
1	Bigger wheel and standard material version
5	Standard wheel and high load material version
6	Bigger wheel and high load material version

Application reference no		For batten Fitting or Receptacle
03	Battcar with swivel	1490 and 1490G
05	Battcar with SS M10 thread	1580, 1590 and 1595
09	Battcar with SS M10 thread (extended)	1580, 1590 and 1595
10	Intermediate battcar	-
15	Battcar with SS fork (no swivel)	1490-1 and 1490-1G

1 5 3 X - XX - XX

Body reference no	
11	Battcar body 1530-11-XX, 1531-11-XX and 1535-11-XX
16	Battcar body 1530-16-XX and 1531-16-XX
19	Battcar body 1530-19-XX
20	Battcar body 1530-20-XX
23	Battcar body 1530-23-XX and 1535-23-XX

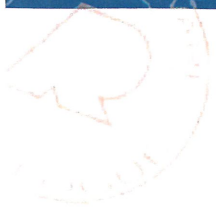
Pressure absorbing Slide & Battcar Mast Selection Guide

		Rutgerson Battcar ref # →						
		1525-11 1530-11-XX 1535-11-XX	1525-16 1530-16-XX	1525-19 1530-19-XX	1525-20 1530-20-XX	1525-23 1530-23-XX 1535-23-XX	1526-11 1531-11-XX 1536-11-XX	1528-23 1540-23-XX
Mast Supplier ref #	Equivalent Holt Allen		HA89	HA90		HA91		
	Sparcraft	F135, F195, F305, F385, F460, I620, S622, I830, S830				NG60, NG70, NG80, NG86, F580, F740, F1060, F1395, S1630, S2100, F2390, F3360, F4600	F35, F50, F67, F78, F101, S137, S180, S260, S330, IMS80, IMS256	NG60, NG70, NG80, NG86, NG105, F580, F740, F1060, F1395, F2390, F3360, F4600
	Seldén	1335 ¹⁾			C156, C175, C193, C211, C227, C245, C264, C285, C304			
	John Mast	135D, 148D, 150D, 165D, 167D, 185D, 186D, 208D, 222D, 245D, 280D, 305D, 335D				220E, 262E, 290E	150E, 116E, 125E	220E, 262E, 290E
	Z Spars	Z301, Z351, Z380, Z401, Z501, Z531, Z601, Z602, Z701, Z702				Z902, Z1001, Z1250, Z1400	Z170, Z190, Z230, Z265	Z1001, Z1250, Z1400
	Soromap	NF200, NF270, NF350, NF430, NF540, NF710, NF1410						

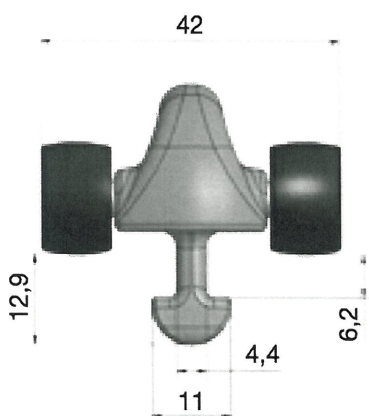
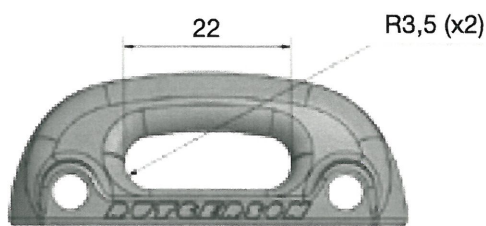
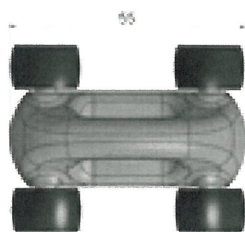
Note: For application in monohull mainsails >50m² (592sq ft.) use the High Load Battcar versions with reference no 1535-XX-XX. It is also mandatory to apply all Rutgerson battcars with the assembly screw pointing upwards in the mast gate. It is not recommended to use any of Rutgerson Battcars in mainsails >80m² (861sq ft.).

1) If the Seldén mast is equipped with a sail entry gate with a cassette with tongue and rubber spring pad, it has to be converted to a track gate insert for fullbatten sails (Seldén part no 505-516-01, 505-524-01)

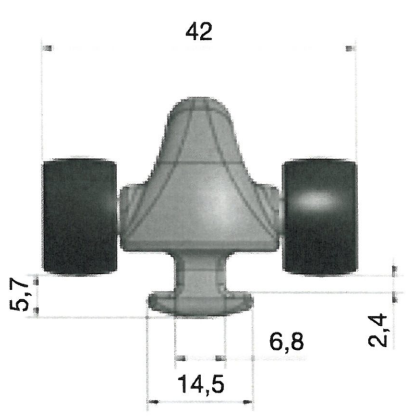
For information regarding applications in other mast sections than the above specified, please contact Rutgerson or your local distributor.



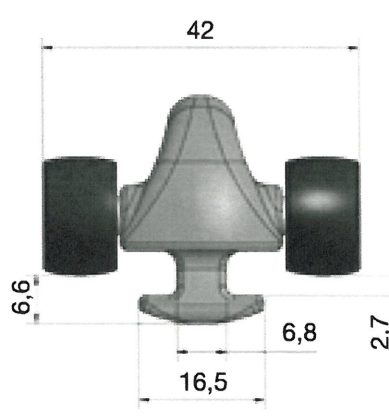
PRESSURE ABSORBING SLIDES



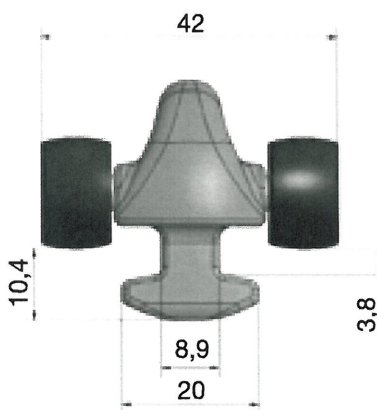
1525-11



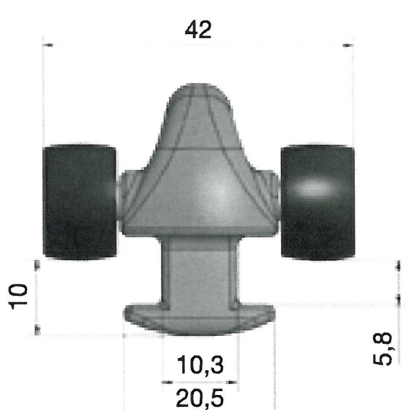
1525-16



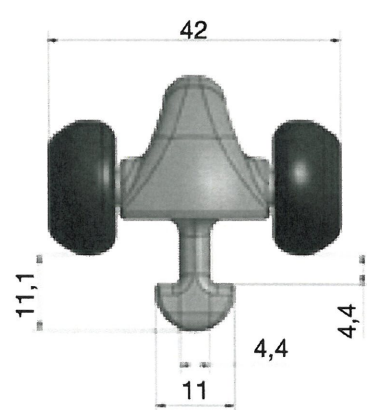
1525-19



1525-20



1525-23



1526-11

Part no	Product description	Wheel Ø [mm]	Recommended fitting	Packed per
1525-11	Pressure absorbing slide 11mm	15,5	1490, 1490G or Webbing	10
1525-16	Pressure absorbing slide 16mm	15,5	1490, 1490G or Webbing	10
1525-19	Pressure absorbing slide 19mm	15,5	1490, 1490G or Webbing	10
1525-20	Pressure absorbing slide 20mm	15,5	1490, 1490G or Webbing	10
1525-23	Pressure absorbing slide 23mm	15,5	1490, 1490G or Webbing	10
1526-11	Pressure absorbing slide 11mm (big wheels)	19,5	1490, 1490G or Webbing	10
1526-16	Pressure absorbing slide 16mm (big wheels)	19,5	1490, 1490G or Webbing	10

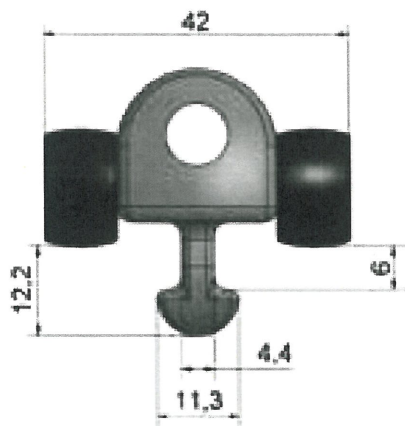
All pressure absorbing slides have a tolerance of 0,5mm

BATTCARS

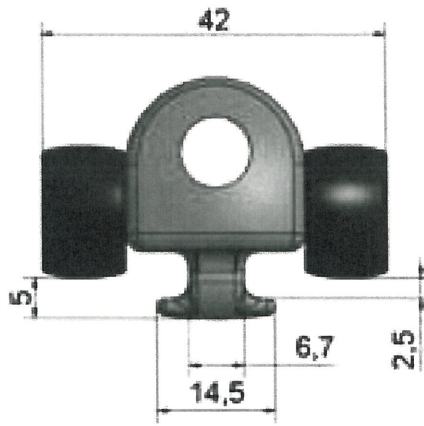
The Rutgerston Battcar solution has proven to be a winner for sailors on all oceans and in all environments. Available for a wide variety of mast applications, this fullbatten car makes the mainsail safer and simpler to handle and trim whilst sailing by requiring minimum maintenance, and is easy to hoist and lower.

All Rutgerston Battcars have a tolerance of 0,5mm.

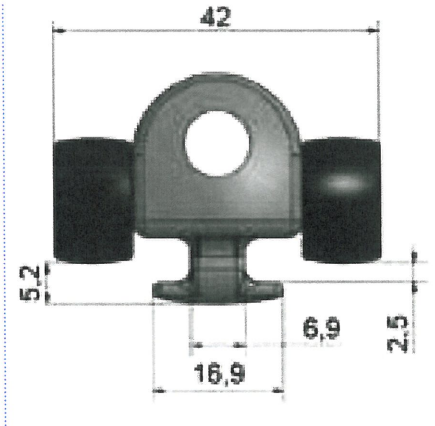
Battcar general dimensions



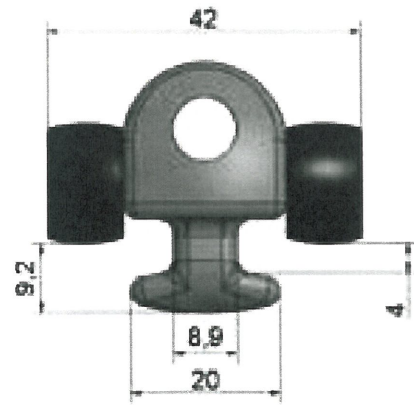
Body
1530-11-XX & 1535-11-XX



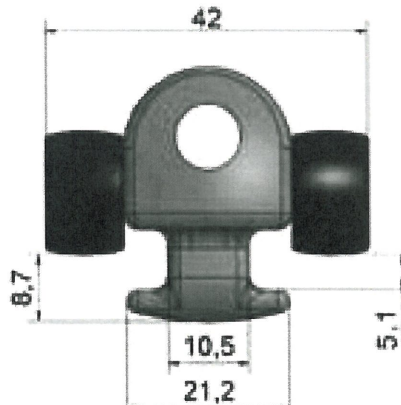
Body
1530-16-XX



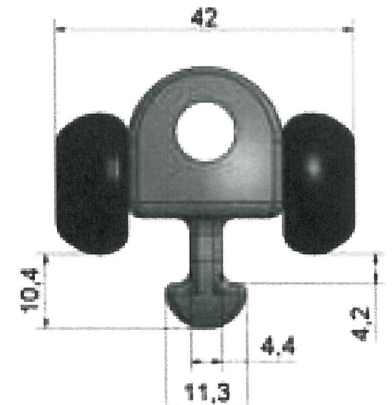
Body
1530-19-XX



Body
1530-20-XX



Body
1530-23-XX & 1535-23-XX



Body
1531-11-XX

Please see page 32 for help guide and mast selection guide

Limousine Battcar 1540

Rutgerson is now filling the gap in the boat segment up to 60ft through the addition of another battcar size, the Limousine 1540. Available in 23mm profile width, this battcar will cover the majority of the larger spar sections from mast makers available on the market, such as HA91 profiles. It is made of aluminium from a solid extrusion profile, which makes it extremely strong in order to withstand the loads developed under these conditions.

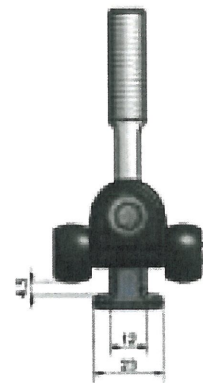
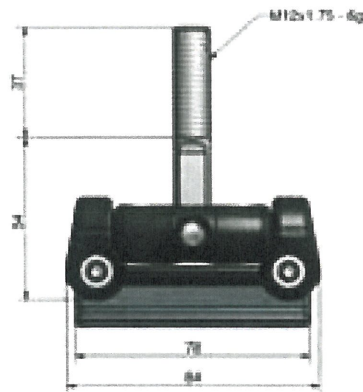
The new battcar is available in two versions. The 1540-23-05 with M12 stainless steel thread for full batten applications and a high tech composite intermediate version for 25mm webbing applications with part number 1528-23.



1528-23



1540-23-05



Limousine Battcar 1540

Part No	Product description	Application	Weight	Profiles	Body ref #	Wheel \varnothing [mm]	Adaptor material	Recommended Receptacle / Fitting
1540-23-05	Battcar 23mm with SS M12 thread, high load aluminium	Full batten	235	HA91	1540-23	19	SS	1612
1528-23	Pressure absorbing slide 23mm for intermediate, high load composite	Intermediate	112	HA91	1528-23	19		

Slot width (bolt/shackle) [mm]	Packed per	Approx. Push BL [kg]	Approx. Pull BL [kg]
44	1	1000	920
	1		920